

**JUMO GmbH & Co. KG**

Delivery address: Mackenrodtstraße 14  
36039 Fulda, Germany  
Postal address: 36035 Fulda, Germany  
Phone: +49 661 6003-0  
Fax: +49 661 6003-607  
Email: mail@jumo.net  
Internet: www.jumo.net

**JUMO Instrument Co. Ltd.**

JUMO House  
Temple Bank, Riverway  
Harlow, Essex CM20 2DY, UK  
Phone: +44 1279 635533  
Fax: +44 1279 635262  
Email: sales@jumo.co.uk  
Internet: www.jumo.co.uk

**JUMO Process Control, Inc.**

6733 Myers Road  
East Syracuse, NY 13057, USA  
Phone: 315-437-5866  
1-800-554-5866  
Fax: 315-437-5860  
Email: info.us@jumo.net  
Internet: www.jumousa.com



# JUMO mTRON T

## Measuring, control, and automation system

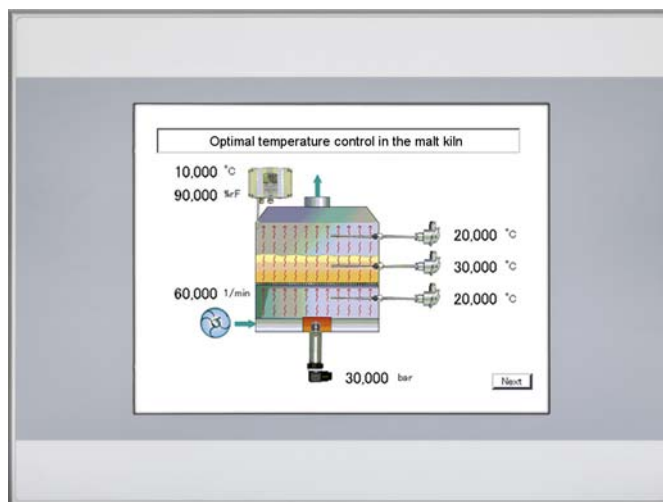
### Operating panels

#### Brief description

The basic version of the JUMO mTRON T automation system includes the multifunction panel 840 (TFT-touchscreen) with a screen size of 21.3 cm (8.4") as standard. Among other features, it offers user administration with access to parameter and configuration data for the whole system as well as predefined screens for service, controller, program generator, and recording functions (including batch reporting). It is also possible to create customized process screens that map the actual plant.

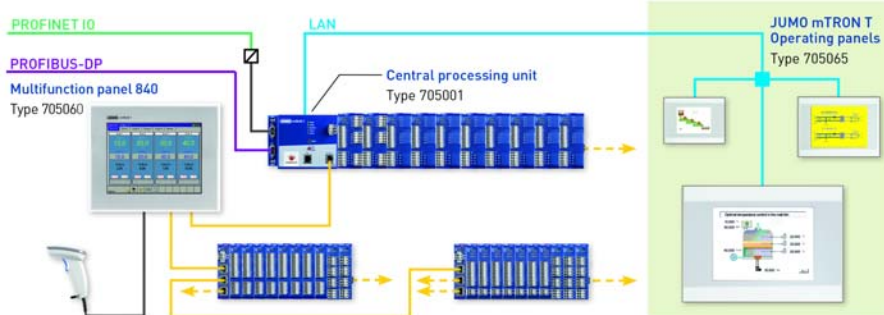
The additional operating panels mean that the automation system can be configured with even greater flexibility. The operating panels come with CODESYS PLC as well as target and web visualization, which is implemented by customized PLC applications. Operation is done within specific process screens. Connecting the panels using CODESYS project design enables direct access to the PLC variables of the JUMO mTRON T via CODESYS data server (PLC option for central processing unit required). This also means that no costs are incurred for a separate external programming software package for each workstation.

The operating panels are supported by the automation system JUMO mTRON T as of system version 02 and as of CODESYS V3.5 SP3 patch 9.



Type 705065/...

### System structure



### Features

- TFT color screen (64k colors) with resistive-touch technology
- Screen size (diagonal) 8.9 cm (3.5"), 14.5 cm (5.7") and 26.4 cm (10.4")
- Resolution 320 x 240 pixel and 640 x 480 pixel
- Different case types (plastic, metal)
- Protection type IP65 (on the front)
- Voltage supply DC 24 V
- Ethernet interface (RJ45) for connection to the system
- Up to four operating panels per central processing unit (PLC option required)
- Operation of the system within specific process screens
- Direct access to PLC variables

**JUMO GmbH & Co. KG**

Delivery address: Mackenrodtstraße 14  
36039 Fulda, Germany  
Postal address: 36035 Fulda, Germany  
Phone: +49 661 6003-0  
Fax: +49 661 6003-607  
Email: mail@jumo.net  
Internet: www.jumo.net

**JUMO Instrument Co. Ltd.**

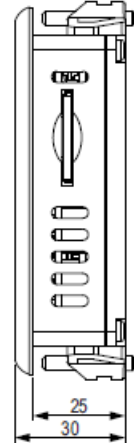
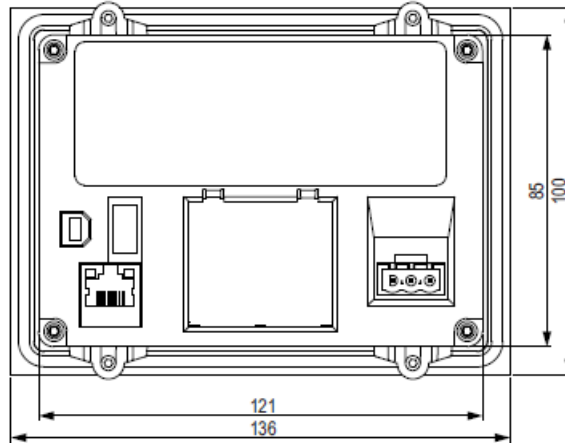
JUMO House  
Temple Bank, Riverway  
Harlow, Essex CM20 2DY, UK  
Phone: +44 1279 635533  
Fax: +44 1279 635262  
Email: sales@jumo.co.uk  
Internet: www.jumo.co.uk

**JUMO Process Control, Inc.**

6733 Myers Road  
East Syracuse, NY 13057, USA  
Phone: 315-437-5866  
1-800-554-5866  
Fax: 315-437-5860  
Email: info.us@jumo.net  
Internet: www.jumousa.com



## Operating panel 350 (type 705065/0x-1...)



|                                   |      |   |
|-----------------------------------|------|---|
| Screen type                       |      | TFT color screen                                  |
| Touch technology                  |      | Resistive   |
| Screen size (diagonal)            |      | 8.9 cm (3.5")                                     |
| Resolution                        |      | 320 x 240 pixel                                   |
| Number of colors                  |      | 64k   |
| Contrast                          | typ. | 300:1   |
| Brightness                        | typ. | 250 cd/m <sup>2</sup>                             |
| Background lighting               |      | LED (dimnable by software)                        |
| Voltage supply                    | nom. | DC 24 V +25/-20 % SELV                            |
| Power consumption                 | max. | 5 W   |
| Current inrush                    |      | 1.5 A <sup>2</sup> s                              |
| Assembly type                     |      | Insertion in panel cut-out                        |
| Case type                         |      | Plastic   |
| Front panel type                  |      | Plastic with neutral design foil (fully enclosed) |
| Dimensions (W x H x D)            |      | 136 mm x 100 mm x 30 mm                           |
| Front panel depth                 |      | 5 mm  |
| Mounting depth                    |      | 25 mm   |
| Panel cut-out                     |      | 123 mm x 87 mm (± 1 mm)                           |
| Weight                            |      | 0.3 kg  |
| Protection type                   |      | IP65 (front side), IP20 (rear side)               |
| Ambient temperature range         |      | 0 to 50 °C  |
| Storage temperature range         |      | -20 to +60 °C                                     |
| Resistance to climatic conditions |      | Relative humidity 10 to 95 %, non-condensing      |

The complete technical data as well as further technical information can be found in the manufacturer's original documents ([www.eaton.com](http://www.eaton.com); use search function).

Type 705065/0x-1...: search for „XV-102“

**JUMO GmbH & Co. KG**

Delivery address: Mackenrodtstraße 14  
36039 Fulda, Germany  
Postal address: 36035 Fulda, Germany  
Phone: +49 661 6003-0  
Fax: +49 661 6003-607  
Email: mail@jumo.net  
Internet: www.jumo.net

**JUMO Instrument Co. Ltd.**

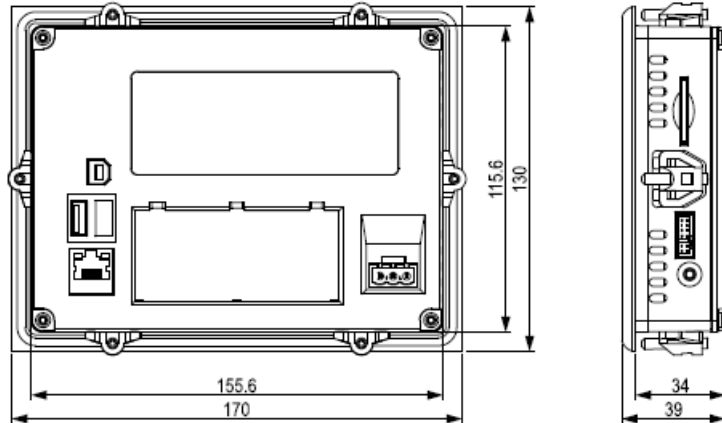
JUMO House  
Temple Bank, Riverway  
Harlow, Essex CM20 2DY, UK  
Phone: +44 1279 635533  
Fax: +44 1279 635262  
Email: sales@jumo.co.uk  
Internet: www.jumo.co.uk

**JUMO Process Control, Inc.**

6733 Myers Road  
East Syracuse, NY 13057, USA  
Phone: 315-437-5866  
1-800-554-5866  
Fax: 315-437-5860  
Email: info.us@jumo.net  
Internet: www.jumousa.com



## Operating panel 570 (type 705065/0x-2...)



|                                   |      |   |
|-----------------------------------|------|---|
| Screen type                       |      | TFT color screen                                  |
| Touch technology                  |      | Resistive   |
| Screen size (diagonal)            |      | 14.5 cm (5.7")                                    |
| Resolution                        |      | 640 × 480 pixels                                  |
| Number of colors                  |      | 64k   |
| Contrast                          | typ. | 300:1   |
| Brightness                        | typ. | 250 cd/m <sup>2</sup>                             |
| Background lighting               |      | LED (dimnable by software)                        |
| Voltage supply                    | nom. | DC 24 V +25/-20 % SELV                            |
| Power consumption                 | max. | 10 W  |
| Current inrush                    |      | 1.5 A <sup>2</sup> s                              |
| Assembly type                     |      | Insertion in panel cut-out                        |
| Case type                         |      | Plastic   |
| Front panel type                  |      | Plastic with neutral design foil (fully enclosed) |
| Dimensions (W × H × D)            |      | 170 mm × 130 mm × 39 mm                           |
| Front panel depth                 |      | 5 mm  |
| Mounting depth                    |      | 34 mm   |
| Panel cut-out                     |      | 157 mm × 117 mm (± 1 mm)                          |
| Weight                            |      | 0.6 kg  |
| Protection type                   |      | IP65 (front side), IP20 (rear side)               |
| Ambient temperature range         |      | 0 to 50 °C  |
| Storage temperature range         |      | -20 to +60 °C                                     |
| Resistance to climatic conditions |      | Relative humidity 10 to 95 %, non-condensing      |

The complete technical data as well as further technical information can be found in the manufacturer's original documents ([www.eaton.com](http://www.eaton.com); use search function).

Type 705065/0x-2....: search for „XV-102“

**JUMO GmbH & Co. KG**

Delivery address: Mackenrodtstraße 14  
36039 Fulda, Germany  
Postal address: 36035 Fulda, Germany  
Phone: +49 661 6003-0  
Fax: +49 661 6003-607  
Email: mail@jumo.net  
Internet: www.jumo.net

**JUMO Instrument Co. Ltd.**

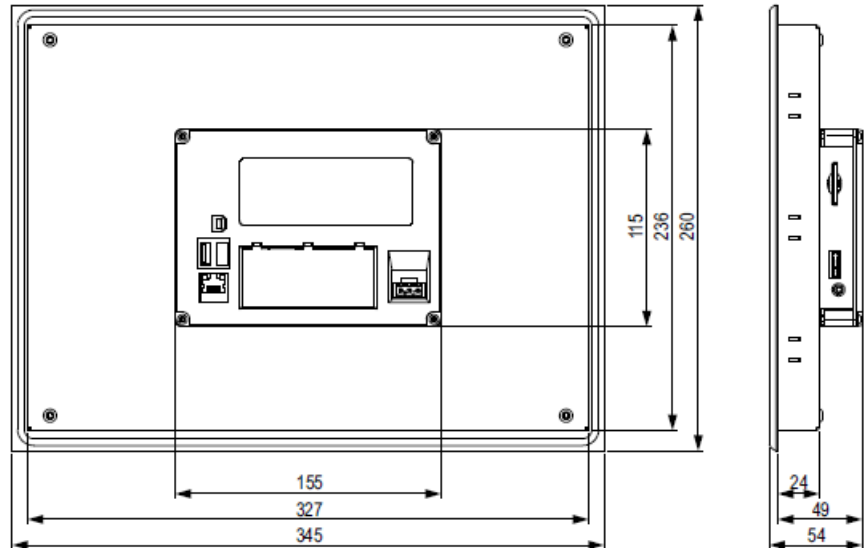
JUMO House  
Temple Bank, Riverway  
Harlow, Essex CM20 2DY, UK  
Phone: +44 1279 635533  
Fax: +44 1279 635262  
Email: sales@jumo.co.uk  
Internet: www.jumo.co.uk

**JUMO Process Control, Inc.**

6733 Myers Road  
East Syracuse, NY 13057, USA  
Phone: 315-437-5866  
1-800-554-5866  
Fax: 315-437-5860  
Email: info.us@jumo.net  
Internet: www.jumousa.com



## Operating panel 1040 (type 705065/0x-5...)



|                                   |      |   |
|-----------------------------------|------|---|
| Screen type                       |      | TFT color screen                                |
| Touch technology                  |      | Resistive                                       |
| Screen size (diagonal)            |      | 26.4 cm (10.4")                                 |
| Resolution                        |      | 640 × 480 pixels                                |
| Number of colors                  |      | 64k   |
| Contrast                          | typ. | 300:1   |
| Brightness                        | typ. | 250 cd/m <sup>2</sup>                           |
| Background lighting               |      | LED (dimnable by software)                      |
| Voltage supply                    | nom. | DC 24 V +25/-20 % SELV                          |
| Power consumption                 | max. | 12 W  |
| Current inrush                    |      | 1.5 A <sup>2</sup> s                            |
| Assembly type                     |      | Insertion in panel cut-out                      |
| Case type                         |      | Metal   |
| Front panel type                  |      | Metal with neutral design foil (fully enclosed) |
| Dimensions (W × H × D)            |      | 345 mm x 260 mm x 54 mm                         |
| Front panel depth                 |      | 5 mm  |
| Mounting depth                    |      | 49 mm   |
| Panel cut-out                     |      | 329 mm x 238 mm (± 1 mm)                        |
| Weight                            |      | 3.0 kg  |
| Protection type                   |      | IP65 (front side), IP20 (rear side)             |
| Ambient temperature range         |      | 0 to 50 °C                                      |
| Storage temperature range         |      | -20 to +60 °C                                   |
| Resistance to climatic conditions |      | Relative humidity 10 to 95 %, non-condensing    |

The complete technical data as well as further technical information can be found in the manufacturer's original documents ([www.eaton.com](http://www.eaton.com); use search function):

Type 705065/0x-5...: search for „XV-152“

**JUMO GmbH & Co. KG**

Delivery address: Mackenrodtstraße 14  
36039 Fulda, Germany  
Postal address: 36035 Fulda, Germany  
Phone: +49 661 6003-0  
Fax: +49 661 6003-607  
Email: mail@jumo.net  
Internet: www.jumo.net

**JUMO Instrument Co. Ltd.**

JUMO House  
Temple Bank, Riverway  
Harlow, Essex CM20 2DY, UK  
Phone: +44 1279 635533  
Fax: +44 1279 635262  
Email: sales@jumo.co.uk  
Internet: www.jumo.co.uk

**JUMO Process Control, Inc.**

6733 Myers Road  
East Syracuse, NY 13057, USA  
Phone: 315-437-5866  
1-800-554-5866  
Fax: 315-437-5860  
Email: info.us@jumo.net  
Internet: www.jumousa.com



## Order details

|                                   |   |
|-----------------------------------|---|
| <b>(1) Basic type</b>             |   |
| 705065                            | Operating panel with TFT-touchscreen              |
| <b>(2) Basic type extension</b>   |   |
| 0                                 | Standard  |
| <b>(3) Version</b>                |   |
| 8                                 | Standard with factory settings                    |
| 9                                 | Customer-specific configuration (PLC application) |
| <b>(4) Screen size (diagonal)</b> |   |
| 1                                 | 8.9 cm (3.5"), operating panel 350                |
| 2                                 | 14.5 cm (5.7"), operating panel 570               |
| 5                                 | 26.4 cm (10.4"), operating panel 1040             |
| <b>(5) Technology</b>             |   |
| 0                                 | Resistive   |
| <b>(6) Voltage supply</b>         |   |
| 36                                | DC 24 V +25/-20 %                                 |
| <b>(7) Extra codes</b>            |   |
| 000                               | No extra code                                     |

Other versions upon request.

Order code             /   -  -  -  /   
 Order example        705065 / 0 8 - 1 - 0 - 36 / 000

## Scope of delivery

|  |
|--|
| 1 operating panel in the ordered version   |
| Retaining brackets with threaded pin for mounting the device (quantity depends on device type) |
| 1 sealing strip for mounting the device (glued in the device and/or enclosed separately)       |
| 1 power supply connector for the device  |

## Accessories

| Description   | Part no. |
|---|----------|
| SD card without OS, min. 128 MB, for memory expansion | 00610471 |