

JUMO GmbH & Co. KG
 Delivery address: Mackenrodtstraße 14
 36039 Fulda, Germany
 Postal address: 36035 Fulda, Germany
 Phone: +49 661 6003-0
 Fax: +49 661 6003-607
 E-mail: mail@jumo.net
 Internet: www.jumo.net

JUMO Instrument Co. Ltd.
 JUMO House
 Temple Bank, Riverway
 Harlow, Essex CM20 2DY, UK
 Phone: +44 1279 635533
 Fax: +44 1279 635262
 E-mail: sales@jumo.co.uk
 Internet: www.jumo.co.uk

JUMO Process Control, Inc.
 6733 Myers Road
 East Syracuse, NY 13057, USA
 Phone: 315-437-5866
 1-800-554-5866
 Fax: 315-437-5860
 E-mail: info.us@jumo.net
 Internet: www.jumousa.com



Bimetal Dial Thermometer Transformer version

Special features

- Class 1.5
- Display ranges -20°C to +120°C
- Stainless steel case
- Case size: Ø 80 mm
- Protection type IP 55

Brief description

Dial thermometers in transformer version are devices which can be universally used for local temperature measurement.



Type 608005/1080

Technical data

Basic type extension	1080
Case	Case and bezel made of stainless steel (1.4301)
Protection type	IP 55 according to DIN EN 60529
Front pane	Acrylic glass (PMMA)
Scale	White, with black lettering
Display	Class 1.5 similar to DIN EN 13190
Time constant $t_{0.632}$	Approx. 20 s, measured in flowing water with a probe Ø of 10 mm made of stainless steel
Influential effect of the ambient temperature	No influence
Limit value temperatures	-30 to +80°C (storage and transport -30 to +80°C)
Rated position	Any

JUMO GmbH & Co. KG
 Delivery address: Mackenrodtstraße 14
 36039 Fulda, Germany
 Postal address: 36035 Fulda, Germany
 Phone: +49 661 6003-0
 Fax: +49 661 6003-607
 E-mail: mail@jumo.net
 Internet: www.jumo.net

JUMO Instrument Co. Ltd.
 JUMO House
 Temple Bank, Riverway
 Harlow, Essex CM20 2DY, UK
 Phone: +44 1279 635533
 Fax: +44 1279 635262
 E-mail: sales@jumo.co.uk
 Internet: www.jumo.co.uk

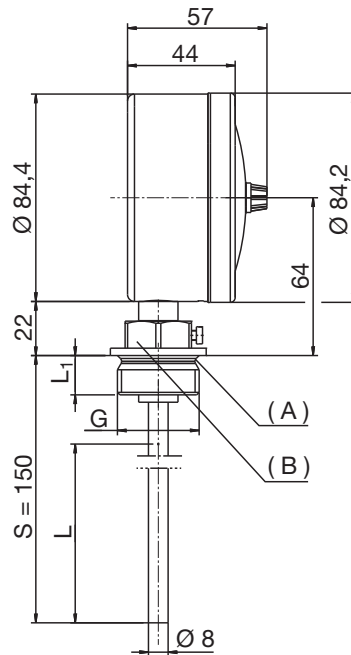
JUMO Process Control, Inc.
 6733 Myers Road
 East Syracuse, NY 13057, USA
 Phone: 315-437-5866
 1-800-554-5866
 Fax: 315-437-5860
 E-mail: info.us@jumo.net
 Internet: www.jumousa.com



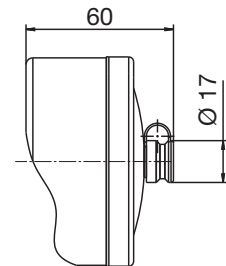
Display range (AB)	Display range in °C	Measuring range in °C	Tolerance in K (+/-)
643	-20 to +120	0 to +100	3.0
818	0 to +120	+20 to +120	3.0

Dimensions

Type:
608005/1080



Extra code 434



G	L1	L (active probe dimension)
G1/2A	14	75
G3/4A	16	
G1A	16	

(A) = Screw-in spigot, DIN 3852, form A
 (B) = SW

Devices in stock

Part no.	Type	Display range	Temperature probe, process connection, material	Protection tube Dimension "S"
00483589	608005/1080-643-874-8-106-97-150/430, 522 with drag indicator	-20 to +120 °C	TF 05, d = 8 mm TA 24, "G 1" CuZn	Stainless steel 150 mm

Attention: only for devices in stock – Packaging unit 3 pieces – Quantity ordered must be divisible by 3!

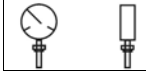
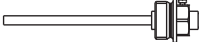
JUMO GmbH & Co. KG
 Delivery address: Mackenrodtstraße 14
 36039 Fulda, Germany
 Postal address: 36035 Fulda, Germany
 Phone: +49 661 6003-0
 Fax: +49 661 6003-607
 E-mail: mail@jumo.net
 Internet: www.jumo.net

JUMO Instrument Co. Ltd.
 JUMO House
 Temple Bank, Riverway
 Harlow, Essex CM20 2DY, UK
 Phone: +44 1279 635533
 Fax: +44 1279 635262
 E-mail: sales@jumo.co.uk
 Internet: www.jumo.co.uk

JUMO Process Control, Inc.
 6733 Myers Road
 East Syracuse, NY 13057, USA
 Phone: 315-437-5866
 1-800-554-5866
 Fax: 315-437-5860
 E-mail: info.us@jumo.net
 Internet: www.jumousa.com



Order details

Order code	(1) Basic type
	Mechanical dial thermometer, transformer version class 1.5 with drag indicator
608005/1080	Design type 10 Case size Ø 80 mm
	
	(2) Display range (AB) in °C
643	-20 to +120
818	0 to +120
	(3) Process connection (PC)
874	TA 24 Protection tube with screw connection, O ring seal and clamping screw
	
	(4) Ø Process connection (PC)
8	8 mm
	(5) Thread type of process connection (PC)
104	Screw connection G 1/2
105	Screw connection G 3/4
106	Screw connection G 1
	(6) Probe material
97	Stainless steel (1.4571) – TF / Brass – TA
	(7) Insertion length, process connection (PC) dimension "S"
150	150 mm
...	Special length (specifications in plain text – 50 mm increments)
	(8) Extra code (TZ)
000	Without extra code
434	Drag indicator can be adjusted with a screwdriver, protected by a cover
522	Customized scale

Special versions upon request!

	(1)	(2)	(3)	(4)	(5)	(6)	(7)	(8)									
Order code	608005/....	-	...	-	...	-	.	-	...	-	..	-	...	/	...	,	...
Order example	608005/1080	-	818	-	874	-	8	-	106	-	97	-	150	/	000 ^a	,	...

^a List extra codes in sequence, separated by commas.

Caution: only for devices in stock – **Packaging unit 3 pieces** – Quantity ordered must be divisible by 3!

Note: Contact thermometer temperature probe, refer to data sheet 608540.
 For temperature indicator and contact dial thermometer with capillary, refer to data sheet 608201 and 608520.