

**JUMO GmbH & Co. KG**  
 Delivery address: Mackenrodtstraße 14  
 36039 Fulda, Germany  
 Postal address: 36035 Fulda, Germany  
 Phone: +49 661 6003-0  
 Fax: +49 661 6003-607  
 Email: mail@jumo.net  
 Internet: www.jumo.net

**JUMO Instrument Co. Ltd.**  
 JUMO House  
 Temple Bank, Riverway  
 Harlow, Essex, CM20 2DY, UK  
 Phone: +44 1279 63 55 33  
 Fax: +44 1279 62 50 29  
 Email: sales@jumo.co.uk  
 Internet: www.jumo.co.uk

**JUMO Process Control, Inc.**  
 6724 Joy Road  
 East Syracuse, NY 13057, USA  
 Phone: +1 315 437 5866  
 Fax: +1 315 437 5860  
 Email: info.us@jumo.net  
 Internet: www.jumousa.com



# Stainless steel process fittings

- Installation in pipe systems
- Installation in tanks and vessels
- Hygienic version
- FDA conformity of materials
- Probe length 120 mm × 120 mm
- Availability of various process connections

## Brief description

These fittings are used for holding and protecting sensors. They can either be fitted directly into existing stainless steel pipe systems or onto container walls.

Type 202825 fittings are mainly installed in industrial plants with increased hygienic requirements. The wetted components and the sealing material used are approved by the FDA (Food and Drug Administration).

Type 202831 fittings are predominantly used in water management and in process engineering. Both types of fittings are intended to accommodate sensors of 120 mm length. Other lengths to special order.

### Additional fittings

Type of fitting	Data Sheet
Flow-through fittings	202810
Immersion fittings	202820, 202821
Quick-change fittings	202822
Pneumatic retractable assembly	202823



Type 202825/...



Type 202831/...

**JUMO GmbH & Co. KG**  
 Delivery address: Mackenrodtstraße 14  
 36039 Fulda, Germany  
 Postal address: 36035 Fulda, Germany  
 Phone: +49 661 6003-0  
 Fax: +49 661 6003-607  
 Email: mail@jumo.net  
 Internet: www.jumo.net

**JUMO Instrument Co. Ltd.**  
 JUMO House  
 Temple Bank, Riverway  
 Harlow, Essex, CM20 2DY, UK  
 Phone: +44 1279 63 55 33  
 Fax: +44 1279 62 50 29  
 Email: sales@jumo.co.uk  
 Internet: www.jumo.co.uk

**JUMO Process Control, Inc.**  
 6724 Joy Road  
 East Syracuse, NY 13057, USA  
 Phone: +1 315 437 5866  
 Fax: +1 315 437 5860  
 Email: info.us@jumo.net  
 Internet: www.jumousa.com



## Installation options

	<b>Cone nipple</b>		
	<b>DN 50</b>	DN (pipe)	L (fitting dim.)
		DN 50	63 mm
		DN 65	52 mm
		DN 80	63 mm
		DN 100	75 mm
		DN 125	90 mm

	<b>Clamp connection</b>		
	<b>DN 25</b>	DN (pipe)	L (fitting dim.)
		DN 40	58 mm
		DN 50	50 mm
		DN 65	50 mm
		DN 80	58 mm
		DN 100	68 mm
		DN 125	81 mm
	<b>DN 50</b>	DN (pipe)	L (fitting dim.)
		DN 50	51 mm
		DN 65	40 mm
		DN 80	51 mm
		DN 100	63 mm
		DN 125	77 mm

## Technical data

<b>Materials</b>	Wetted components in stainless steel 1.4571 Electropolished, Ra ≤ 0.80 (on type 202825/...) Seal: silicone O-rings (FDA approved)
<b>Permissible temperature<sup>a</sup></b>	0 to 135 °C
<b>Safe pressure at 25 °C</b>	Up to 10 bar
<b>Electrode holder</b>	Pg 13.5 gland An impedance converter (202995) or an intelligent JUMO digiLine pH/ORP/T electronics (202705) can be incorporated.
<b>Fitting length</b>	See installation options for the appropriate process connection
<b>Protection</b>	IP65, EN 60529
<b>Weight</b>	Depending on the process connection

<sup>a</sup> Please also note the maximum operating data for the sensor used.

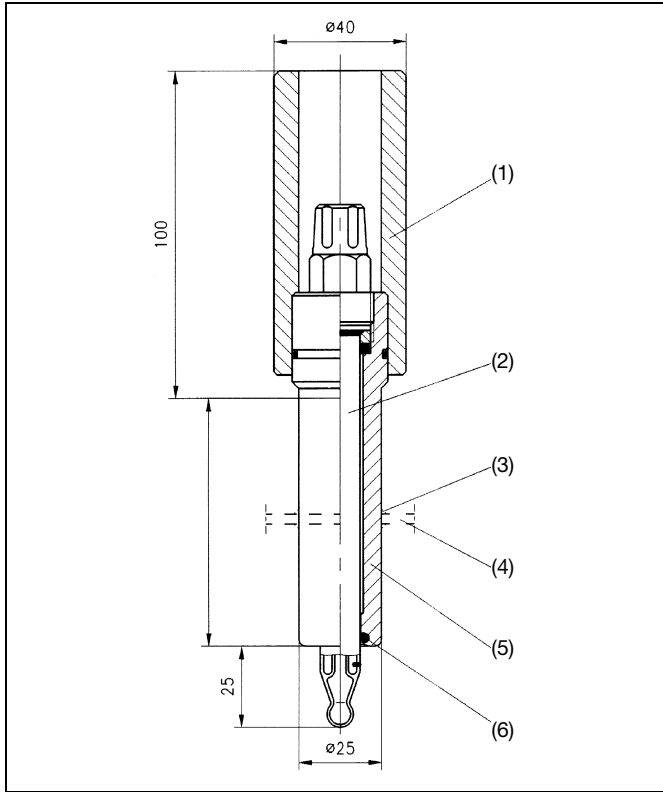
**JUMO GmbH & Co. KG**  
 Delivery address: Mackenrodtstraße 14  
 36039 Fulda, Germany  
 Postal address: 36035 Fulda, Germany  
 Phone: +49 661 6003-0  
 Fax: +49 661 6003-607  
 Email: mail@jumo.net  
 Internet: www.jumo.net

**JUMO Instrument Co. Ltd.**  
 JUMO House  
 Temple Bank, Riverway  
 Harlow, Essex, CM20 2DY, UK  
 Phone: +44 1279 63 55 33  
 Fax: +44 1279 62 50 29  
 Email: sales@jumo.co.uk  
 Internet: www.jumo.co.uk

**JUMO Process Control, Inc.**  
 6724 Joy Road  
 East Syracuse, NY 13057, USA  
 Phone: +1 315 437 5866  
 Fax: +1 315 437 5860  
 Email: info.us@jumo.net  
 Internet: www.jumousa.com

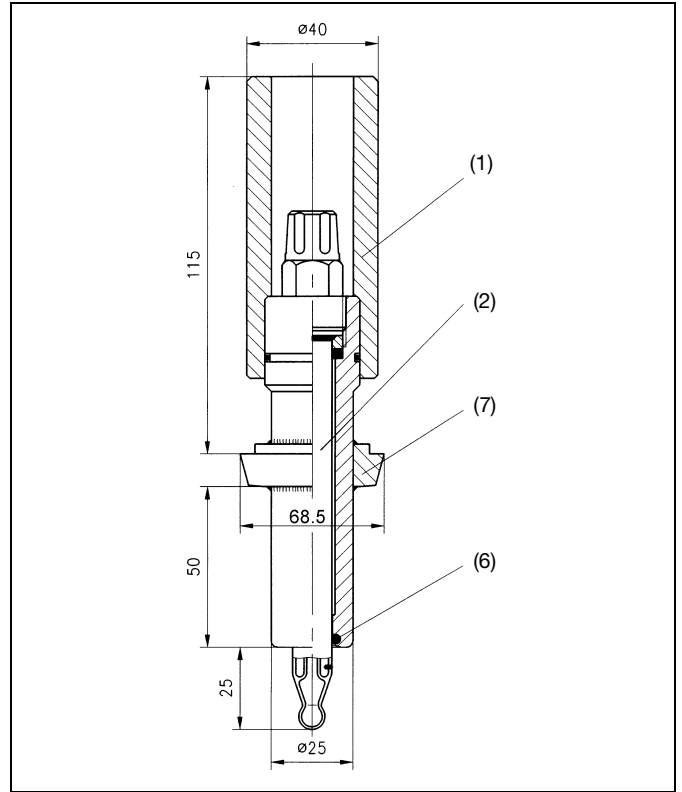


## Dimensions



Type 202825/000

- (1) Protective cap PP polypropylene
- (3) Weld seam
- (5) Connection
- (6) Process connection cone nipple, DIN 11851-SD



Type 202825/607-26

- (2) Electrode
- (4) Container wall
- (6) O-ring, silicone, FDA approved material

**JUMO GmbH & Co. KG**

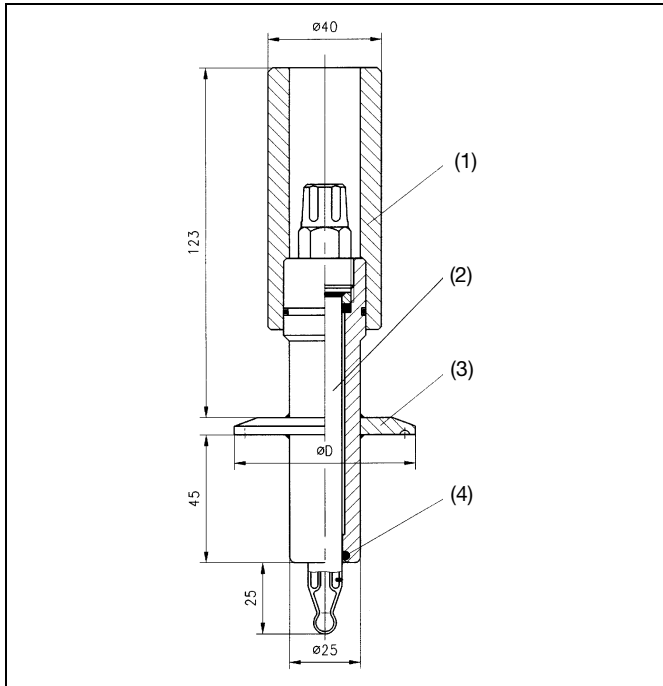
Delivery address: Mackenrodtstraße 14  
36039 Fulda, Germany  
Postal address: 36035 Fulda, Germany  
Phone: +49 661 6003-0  
Fax: +49 661 6003-607  
Email: mail@jumo.net  
Internet: www.jumo.net

**JUMO Instrument Co. Ltd.**

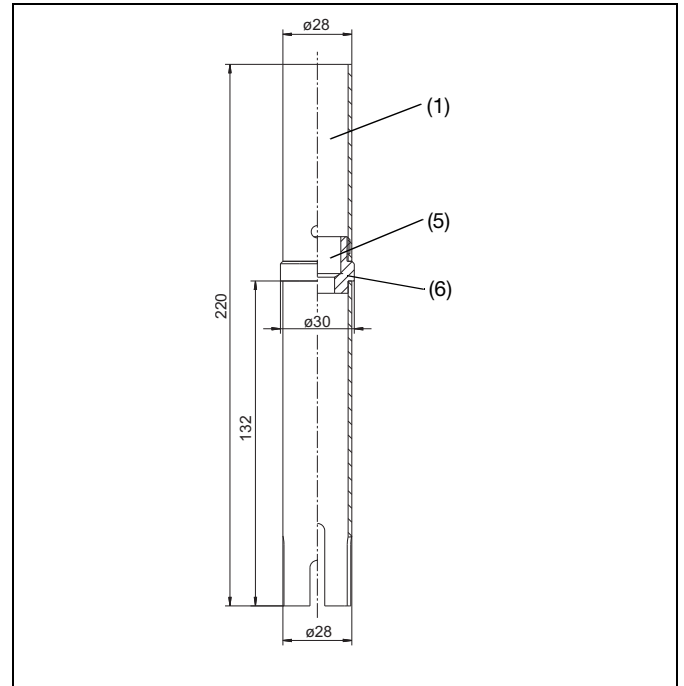
JUMO House  
Temple Bank, Riverway  
Harlow, Essex, CM20 2DY, UK  
Phone: +44 1279 63 55 33  
Fax: +44 1279 62 50 29  
Email: sales@jumo.co.uk  
Internet: www.jumo.co.uk

**JUMO Process Control, Inc.**

6724 Joy Road  
East Syracuse, NY 13057, USA  
Phone: +1 315 437 5866  
Fax: +1 315 437 5860  
Email: info.us@jumo.net  
Internet: www.jumousa.com

**Type 202825/616-26, type 202825/613-26****Clamp connection:****DN 50, Ø D = 64.0 mm dia., L = 45 mm,****DN 25, Ø D = 50.5 mm dia., L = 45 mm**

- (1) Protective cap PP polypropylene
- (3) Process connection clamp connection DN
- (5) Holder Pg13.5 for one sensor

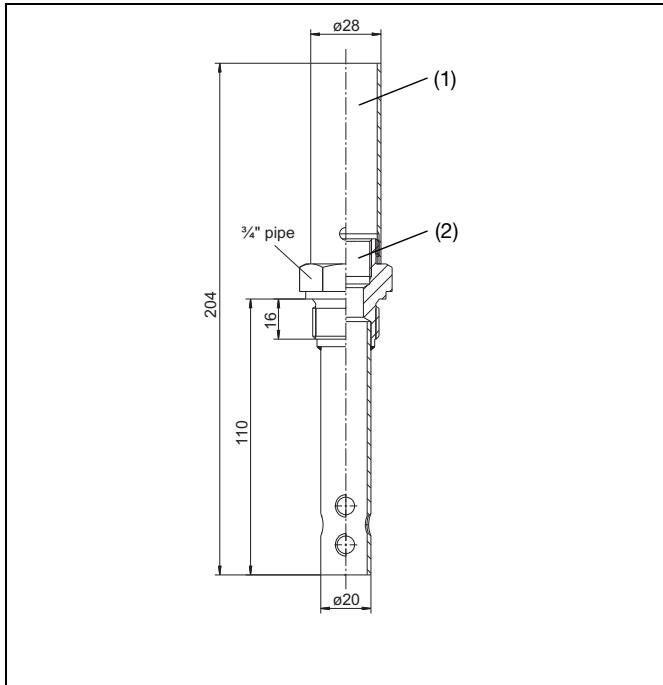
**Type 202831/000-26**

- (2) Electrode
- (4) O-ring, silicone, FDA approved material
- (6) Welding shoulder

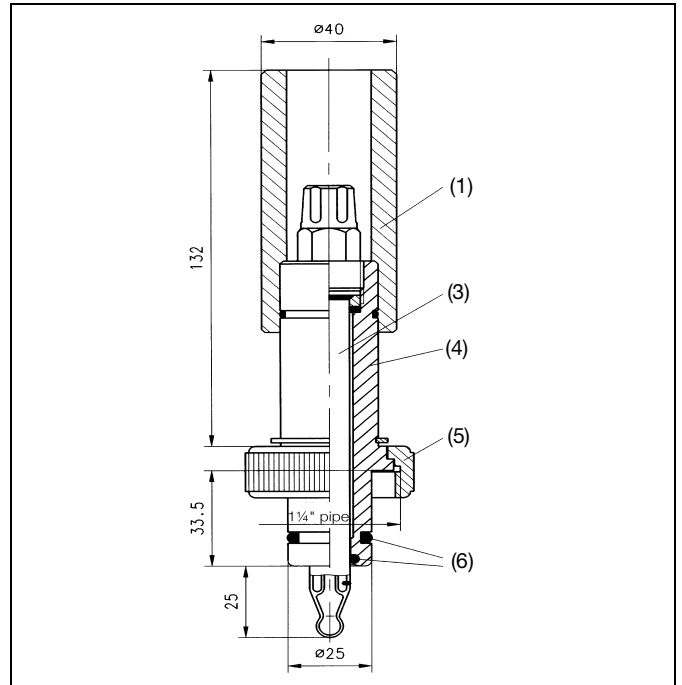
**JUMO GmbH & Co. KG**  
 Delivery address: Mackenrodtstraße 14  
 36039 Fulda, Germany  
 Postal address: 36035 Fulda, Germany  
 Phone: +49 661 6003-0  
 Fax: +49 661 6003-607  
 Email: mail@jumo.net  
 Internet: www.jumo.net

**JUMO Instrument Co. Ltd.**  
 JUMO House  
 Temple Bank, Riverway  
 Harlow, Essex, CM20 2DY, UK  
 Phone: +44 1279 63 55 33  
 Fax: +44 1279 62 50 29  
 Email: sales@jumo.co.uk  
 Internet: www.jumo.co.uk

**JUMO Process Control, Inc.**  
 6724 Joy Road  
 East Syracuse, NY 13057, USA  
 Phone: +1 315 437 5866  
 Fax: +1 315 437 5860  
 Email: info.us@jumo.net  
 Internet: www.jumousa.com



Type 202831/105-26

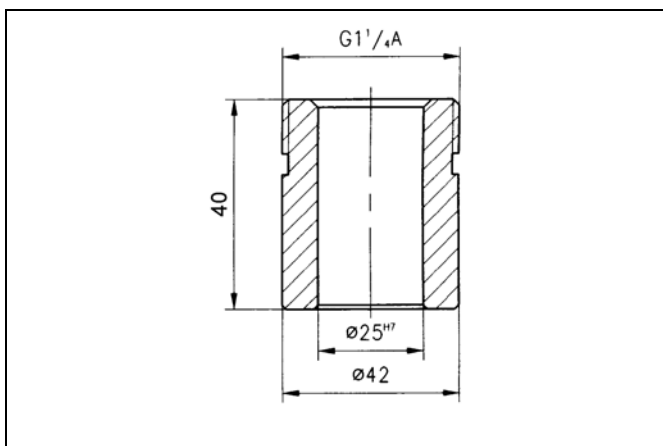


Type 202825/688-26  
 Ingold connection: 1 1/4" pipe thread, 33.5 mm fitting length (together with nipple 3)

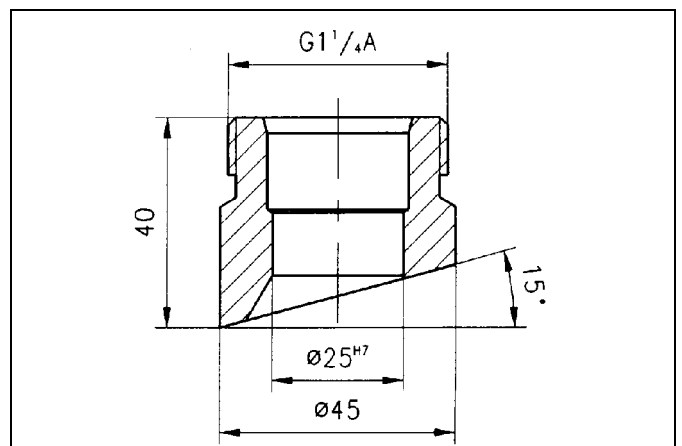
- (1) Protective cap against mechanical damage to sensor
- (3) Electrode
- (5) Union nut

- (2) Holder Pg13.5 for one sensor
- (4) Connection
- (6) O-rings, silicone, FDA approved material

**Available weld-in nipples for connection 688**



**Nipple 1**  
 Part no. 00489164



**Nipple 3**  
 Part no. 00378208

**JUMO GmbH & Co. KG**  
 Delivery address: Mackenrodtstraße 14  
 36039 Fulda, Germany  
 Postal address: 36035 Fulda, Germany  
 Phone: +49 661 6003-0  
 Fax: +49 661 6003-607  
 Email: mail@jumo.net  
 Internet: www.jumo.net

**JUMO Instrument Co. Ltd.**  
 JUMO House  
 Temple Bank, Riverway  
 Harlow, Essex, CM20 2DY, UK  
 Phone: +44 1279 63 55 33  
 Fax: +44 1279 62 50 29  
 Email: sales@jumo.co.uk  
 Internet: www.jumo.co.uk

**JUMO Process Control, Inc.**  
 6724 Joy Road  
 East Syracuse, NY 13057, USA  
 Phone: +1 315 437 5866  
 Fax: +1 315 437 5860  
 Email: info.us@jumo.net  
 Internet: www.jumousa.com



## Order details

	(1)	<b>Basic type</b>
	202825	Process fittings, suitable for media with increased hygienic requirements
	202831	Process fittings, suitable for use in water management and process engineering
	(2)	<b>Process connection</b>
x	x	000 Weld seam
	x	105 Thread 3/4" pipe male
x		607 Cone nipple with union nut DIN 11851-DN 50 (milk cone)
x		613 Clamp DN 25
x		616 Clamp connection (clamp) DIN 32676/2" ISO 2852-DN 50
x		688 Thread 1 1/4" pipe male (Ingold connection)
	(3)	<b>Material</b>
x		24 Wetted components in stainless steel 1.4404 (AISI 316L) (special version)
x	x	26 Wetted components in stainless steel 1.4571 (standard material)

Order code  /  -   
 Order example 202825 / 607 - 26

## Stock versions

Type	Process connection	Material	Part no.
202831/105-26	Thread 3/4" pipe male	Wetted components in stainless steel 1.4571 (standard material)	00302474

## Production versions

Type	Part no.
202825/000-26	00358137
202825/607-26	00357679
202825/613-26	00358134
202825/616-26	00358133

## Accessories

Type	Teile-Nr.
KCI reservoir, pressure-resistant (PG209791)	00060254
Mounting bracket for flow-through fitting (PG209791)	00455706

### Note:

The type code is a type designation, not a modular system.  
 If at all possible, please choose the items listed under "**Stock versions**" or "**Production versions**" when ordering.  
 Any free combination of individual code features must be technically checked by us and released.  
 Please ask us in case of doubt !