

JUMO GmbH & Co. KG
Delivery address: Mackenrodtstraße 14
36039 Fulda, Germany
Postal address: 36035 Fulda, Germany
Phone: +49 661 6003-0
Fax: +49 661 6003-607
Email: mail@jumo.net
Internet: www.jumo.net

JUMO Instrument Co. Ltd.
JUMO House
Temple Bank, Riverway
Harlow, Essex, CM20 2DY, UK
Phone: +44 1279 63 55 33
Fax: +44 1279 62 50 29
Email: sales@jumo.co.uk
Internet: www.jumo.co.uk

JUMO Process Control, Inc.
6733 Myers Road
East Syracuse, NY 13057, USA
Phone: +1 315 437 5866
Fax: +1 315 437 5860
Email: info.us@jumo.net
Internet: www.jumousa.com



JUMO MIDAS SI

OEM-Pressure Transmitter

Applications

- Food and pharmaceutical industry
- Mechanical and plant engineering
- Compressors

Brief description

The pressure transmitter is available with relative pressure and absolute pressure measuring ranges.

The fully welded measuring system (without seals) made of high-grade stainless steel allows this device to be used in almost all media, even in harsh conditions. The structure ensures optimum protection against process medium leakage.

The device features a silicon sensor that is extremely resistant to overloading even in the lowest measuring ranges and is capable of handling millions of pressure cycles.

The device is certified according to EHEDG in the versions with process connections (clamp) DN 25, 32, and 40 as well as JUMO PEKA.

Customer benefits

- **Economic**
A high degree of automation reduces production time and manufacturing costs.
- **Process-reliable**
The piezoresistive silicon sensor has long-term stability and a high level of overload protection. The full final inspection in the fully automated measuring and calibration facility ensures that each pressure transmitter is of high quality.
- **Time-saving, uncomplicated, and versatile**
The installation of the measuring device requires little work and the electrical installation is simple. The modular structure allows universal use in almost any application.



Type 401006
with line socket or round plug

Special features

- 1 to 100 bar relative pressure, up to 25 bar also in absolute pressure
- High process reliability by welded measuring system (without seals)
- Robust and maintenance-free measuring technology by an extreme overload resistance
- Parts in contact with medium are made of stainless steel

Approvals and approval marks (see technical data)



JUMO GmbH & Co. KG
 Delivery address: Mackenrodtstraße 14
 36039 Fulda, Germany
 Postal address: 36035 Fulda, Germany
 Phone: +49 661 6003-0
 Fax: +49 661 6003-607
 Email: mail@jumo.net
 Internet: www.jumo.net

JUMO Instrument Co. Ltd.
 JUMO House
 Temple Bank, Riverway
 Harlow, Essex, CM20 2DY, UK
 Phone: +44 1279 63 55 33
 Fax: +44 1279 62 50 29
 Email: sales@jumo.co.uk
 Internet: www.jumo.co.uk

JUMO Process Control, Inc.
 6733 Myers Road
 East Syracuse, NY 13057, USA
 Phone: +1 315 437 5866
 Fax: +1 315 437 5860
 Email: info.us@jumo.net
 Internet: www.jumousa.com



Technical data

General Information

Reference conditions	To DIN 16086 and DIN EN 60770
Sensor	
Material	Silicon sensor with stainless steel separating diaphragm
Pressure transfer medium	Synthetic oil
Admissible load changes	> 10 million
Mouting position	Any
Calibration position	Device upright, process connection at the bottom

Measuring range and accuracy

Measuring range bar	Linearity ^a % MSP ^f	Accuracy at		Long term stability ^b % MSP per year	Overload ^c bar	Burst bar
		20 °C ^d % MSP	-20 to +100 °C ^e % MSP			
0 to 0.25 bar relative pressure	0.3	0.8	1.8	≤ 0.2	1	2.5
0 to 0.4 bar relative pressure	0.3	0.7	1.7		1.6	4
0 to 0.6 bar relative pressure	0.3	0.7	1.6		2.4	6
0 to 1 bar relative pressure	0.3	0.6	1.5		4	10
0 to 1.6 bar relative pressure	0.25	0.5	1.5		6.5	16
0 to 2.5 bar relative pressure	0.25	0.5	1.5		10	25
0 to 4 bar relative pressure	0.25	0.5	1.2		16	40
0 to 6 bar relative pressure	0.25	0.5	1.2		24	60
0 to 10 bar relative pressure	0.25	0.5	1.0		40	100
0 to 16 bar relative pressure	0.25	0.5	1.0		64	160
0 to 25 bar relative pressure	0.25	0.5	1.0		100	250
0 to 40 bar relative pressure	0.25	0.5	1.0		300	400
0 to 60 bar relative pressure	0.25	0.5	1.0		300	400
0 to 100 bar relative pressure	0.25	0.5	1.0		300	400
-1 to 0 bar relative pressure	0.3	0.6	1.5		4	10
-1 to +0.6 bar relative pressure	0.3	0.6	1.5		6.4	16
-1 to +1.5 bar relative pressure	0.25	0.5	1.3		10	25
-1 to +3 bar relative pressure	0.25	0.5	1.3		16	40
-1 to +5 bar relative pressure	0.25	0.5	1.3		24	60
-1 to +9 bar relative pressure	0.25	0.5	1.2		40	100
-1 to +15 bar relative pressure	0.25	0.5	1.2	64	160	
-1 to +24 bar relative pressure	0.25	0.5	1.2	100	250	

^a Linearity according to limit point-setting

^b Reference conditions DIN EN 61298-1

^c All pressure transmitter are vacuum proof.

^d Includes: linearity, hysteresis, repeatability, deviation from measuring range start (offset), and measuring range end

^e Includes: linearity, hysteresis, repeatability, deviation from measuring range start (offset) and measuring range end, thermal influences on measuring range start (offset), and measuring span

^f MSP = measuring span

JUMO GmbH & Co. KG
 Delivery address: Mackenrodtstraße 14
 36039 Fulda, Germany
 Postal address: 36035 Fulda, Germany
 Phone: +49 661 6003-0
 Fax: +49 661 6003-607
 Email: mail@jumo.net
 Internet: www.jumo.net

JUMO Instrument Co. Ltd.
 JUMO House
 Temple Bank, Riverway
 Harlow, Essex, CM20 2DY, UK
 Phone: +44 1279 63 55 33
 Fax: +44 1279 62 50 29
 Email: sales@jumo.co.uk
 Internet: www.jumo.co.uk

JUMO Process Control, Inc.
 6733 Myers Road
 East Syracuse, NY 13057, USA
 Phone: +1 315 437 5866
 Fax: +1 315 437 5860
 Email: info.us@jumo.net
 Internet: www.jumousa.com



Measuring range bar	Linearity ^a % MSP ^f	Accuracy at		Long term stability ^b % MSP per year	Overload ^c bar	Burst bar
		20 °C ^d % MSP	-20 to +100 °C ^e % MSP			
0 to 0.6 bar absolute pressure	0.3	0.7	1.6	≤ 0.2	2.4	6
0 to 1.0 bar absolute pressure	0.3	0.6	1.5		4	10
0 to 1.6 bar absolute pressure	0.25	0.5	1.5		6.5	16
0 to 2.5 bar absolute pressure	0.25	0.5	1.5		10	25
0 to 4 bar absolute pressure	0.25	0.5	1.2		16	40
0 to 6 bar absolute pressure	0.25	0.5	1.2		24	60
0 to 10 bar absolute pressure	0.25	0.5	1.0		40	100
0 to 16 bar absolute pressure	0.25	0.5	1.0		64	160
0 to 25 bar absolute pressure	0.25	0.5	1.0		100	250

^a Linearity according to limit point-setting

^b Reference conditions DIN EN 61298-1

^c All pressure transmitter are vacuum proof.

^d Includes: linearity, hysteresis, repeatability, deviation from measuring range start (offset), and measuring range end

^e Includes: linearity, hysteresis, repeatability, deviation from measuring range start (offset) and measuring range end, thermal influences on measuring range start (offset), and measuring span

^f MSP = measuring span

Electrical data

Output signal (further outputs upon request)	4 to 20 mA, two-wire	DC 0.5 to 4.5 V, three-wire, ratiometric ^a	DC 0 to 10 V, three-wire
Burden or load (load resistance to S-)	$R_L \leq (U_B - 10 \text{ V}) \div 0.02 \text{ A}(\Omega)$	$R_L \geq 20 \text{ k}\Omega$	$R_L \geq 10 \text{ k}\Omega$
Output current	3.6 to 22 mA	-20 to +250 μA	-20 μA to +1 mA
Voltage supply U_B^b	DC 10 to 30 V	DC 4.75 to 5.25 V	DC 11.5 to 30 V
Nominal voltage	DC 24 V	DC 5 V	DC 24 V
Voltage supply influence	≤ 0.02 %/V	≤ 0.02 %/V	≤ 0.02 %/V
Current consumption at no-load (unloaded)	≤ 25 mA	≤ 5 mA	≤ 5 mA
Reverse voltage protection	Yes	No	Yes
Short-circuit resistance (S+ against V-)	-	Yes	Yes
Step response t_{90}	≤ 3 ms	≤ 3 ms	≤ 3 ms
Current circuit ^c	SELV	SELV	SELV

Output signal (further outputs upon request)	DC 1 to 5 V, three-wire	DC 1 to 6 V, three-wire
Burden or load (load resistance to S-)	$R_L \geq 10 \text{ k}\Omega$	$R_L \geq 10 \text{ k}\Omega$
Output current	-20 μA to +1 mA	-20 μA to +1 mA
Voltage supply U_B^b	DC 8 to 30 V	DC 8 to 30 V
Nominal voltage	DC 24 V	DC 24 V
Voltage supply influence	≤ 0.02 %/V	≤ 0.02 %/V
Current consumption at no-load (unloaded)	≤ 5 mA	≤ 5 mA
Reverse voltage protection	Yes	Yes
Short-circuit resistance (S+ against V-)	Yes	Yes
Step response t_{90}	≤ 3 ms	≤ 3 ms
Current circuit ^c	SELV	SELV

^a Ratiometric output: output signal from 10 to 90 % of the voltage supply

^b Residual ripple: The voltage peaks or dips must not exceed or fall below the specified voltage supply values!

^c The device must be equipped with an electrical circuit that meets the requirements of EN 61010-1 with regard to "Limited-energy circuits".

JUMO GmbH & Co. KG
 Delivery address: Mackenrodtstraße 14
 36039 Fulda, Germany
 Postal address: 36035 Fulda, Germany
 Phone: +49 661 6003-0
 Fax: +49 661 6003-607
 Email: mail@jumo.net
 Internet: www.jumo.net

JUMO Instrument Co. Ltd.
 JUMO House
 Temple Bank, Riverway
 Harlow, Essex, CM20 2DY, UK
 Phone: +44 1279 63 55 33
 Fax: +44 1279 62 50 29
 Email: sales@jumo.co.uk
 Internet: www.jumo.co.uk

JUMO Process Control, Inc.
 6733 Myers Road
 East Syracuse, NY 13057, USA
 Phone: +1 315 437 5866
 Fax: +1 315 437 5860
 Email: info.us@jumo.net
 Internet: www.jumousa.com



Mechanical features

Material	
Process connection	Stainless steel 316 Ti and 316 L
Membranes	Stainless steel 316 L
Housing	Stainless steel 304
Attached cable	PA, PVC
Round plug M12 × 1	PBT-GF30, stainless steel 303
Bayonet connector	PBT-GF30
Line socket	PBT-GF30, PA, silicone
Weight	120 g with process connection G 1/2

Environmental influences

Admissible temperatures for electrical connection	
Attached cable	
Medium	-30 to +125 °C
Ambient	-20 to +100 °C
Storage	-20 to +100 °C
Round plug M12 × 1, line socket, bayonet connector	
Medium	-30 to +125 °C
Ambient	-20 to +100 °C
Storage	-40 to +125 °C
Admissible air humidity	
Operation	100 % relative humidity including condensation on the device outer case
Storage	90 % relative humidity without condensation
Admissible mechanical load	
Vibration resistance	max. 20 g for 15 to 2000 Hz, according to DIN EN 60068-2-6
Shock resistance	100 g for 1 ms, according to DIN EN 60068-2-27
Electromagnetic compatibility (EMC)	According to DIN EN 61326-2-3
Interference emission	Class B ^a
Interference immunity	Industrial requirements
Protection type	According to DIN EN 60529
Attached cable	IP67
Round plug M12 × 1	IP67 (only achieved with a suitable counter piece)
Bayonet connector	IP67 (only achieved with a suitable counter piece)
Line socket	IP65 (connecting cable diameter, minimum 5 mm, maximum 7 mm)

^a The product is suitable for industrial use as well as for households and small businesses.

JUMO GmbH & Co. KG
 Delivery address: Mackenrodtstraße 14
 36039 Fulda, Germany
 Postal address: 36035 Fulda, Germany
 Phone: +49 661 6003-0
 Fax: +49 661 6003-607
 Email: mail@jumo.net
 Internet: www.jumo.net

JUMO Instrument Co. Ltd.
 JUMO House
 Temple Bank, Riverway
 Harlow, Essex, CM20 2DY, UK
 Phone: +44 1279 63 55 33
 Fax: +44 1279 62 50 29
 Email: sales@jumo.co.uk
 Internet: www.jumo.co.uk

JUMO Process Control, Inc.
 6733 Myers Road
 East Syracuse, NY 13057, USA
 Phone: +1 315 437 5866
 Fax: +1 315 437 5860
 Email: info.us@jumo.net
 Internet: www.jumousa.com



Approvals and approval marks

<p>EHEDG</p> <p>Testing agency</p> <p>Certificates/certification numbers</p> <p>Inspection basis</p> <p>Valid for</p>	<p>Research Center Weihenstephan for Brewing and Food Quality</p> <p>EL Class 1/EHEDG-C2000058</p> <p>EHEDG design specifications (Doc. 8 – Hygienic Design Principles)</p> <p>EHEDG tests for verifying ease of cleaning (Doc. 2, Third Edition, July 2004, updated June 2007)</p> <p>Process connection 613 (clamp DN 25, 32, 40),</p> <p>Process connection 997 (JUMO PEKA hygienic process connection)</p>
<p>EAC</p> <p>Testing agency</p> <p>Certificates/certification numbers</p> <p>Inspection basis</p> <p>Valid for</p>	<p>«Промтехконтроль»</p> <p>EAЭC N RU Д-DE.PA01.B.80830/21</p> <p>TR TS 020/2011</p> <p>Type 401006</p>

JUMO GmbH & Co. KG
 Delivery address: Mackenrodtstraße 14
 36039 Fulda, Germany
 Postal address: 36035 Fulda, Germany
 Phone: +49 661 6003-0
 Fax: +49 661 6003-607
 Email: mail@jumo.net
 Internet: www.jumo.net

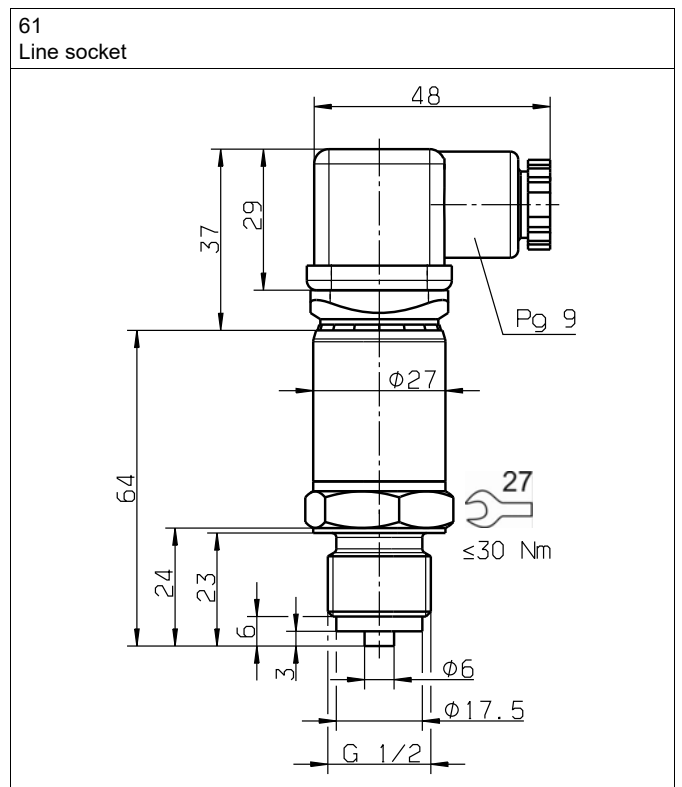
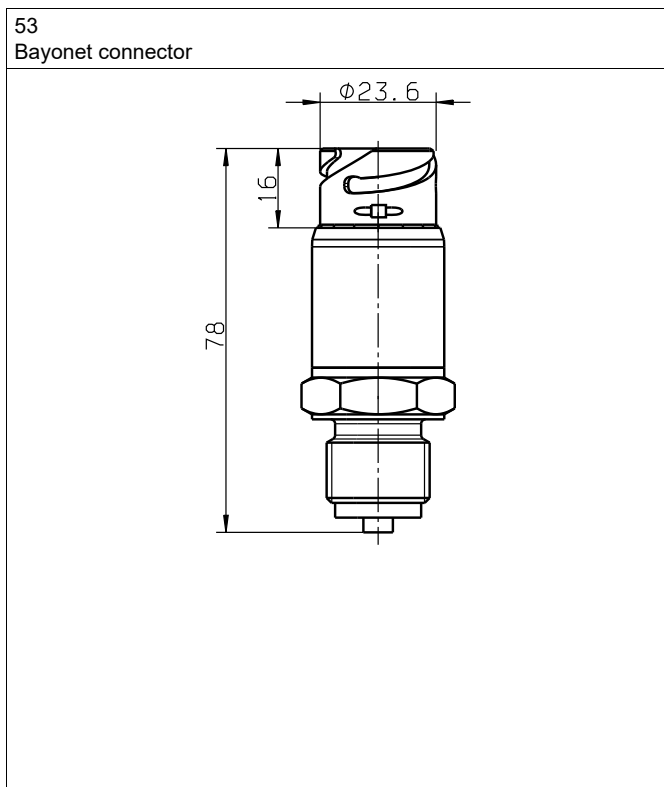
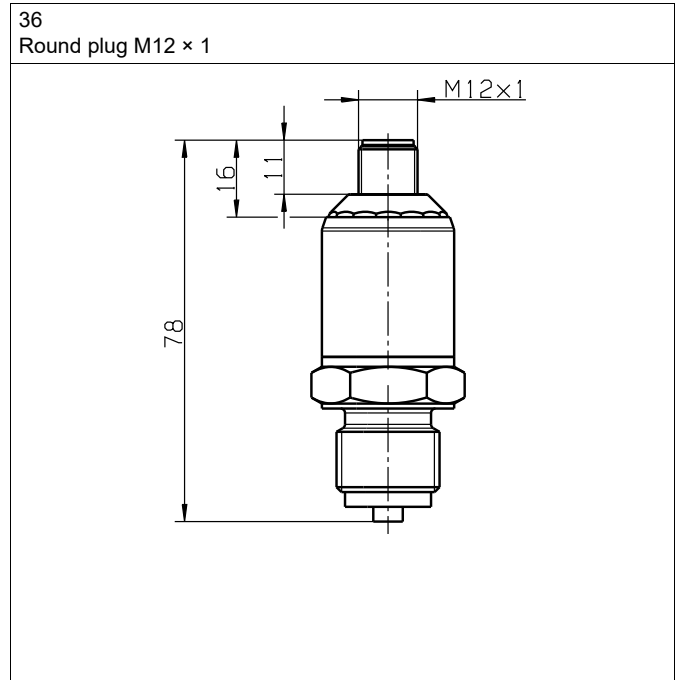
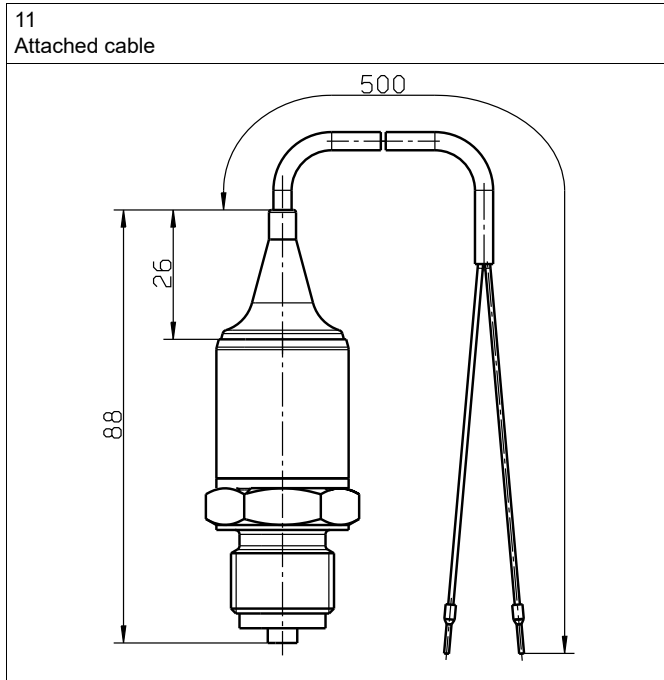
JUMO Instrument Co. Ltd.
 JUMO House
 Temple Bank, Riverway
 Harlow, Essex, CM20 2DY, UK
 Phone: +44 1279 63 55 33
 Fax: +44 1279 62 50 29
 Email: sales@jumo.co.uk
 Internet: www.jumo.co.uk

JUMO Process Control, Inc.
 6733 Myers Road
 East Syracuse, NY 13057, USA
 Phone: +1 315 437 5866
 Fax: +1 315 437 5860
 Email: info.us@jumo.net
 Internet: www.jumousa.com



Dimensions

Electrical connection



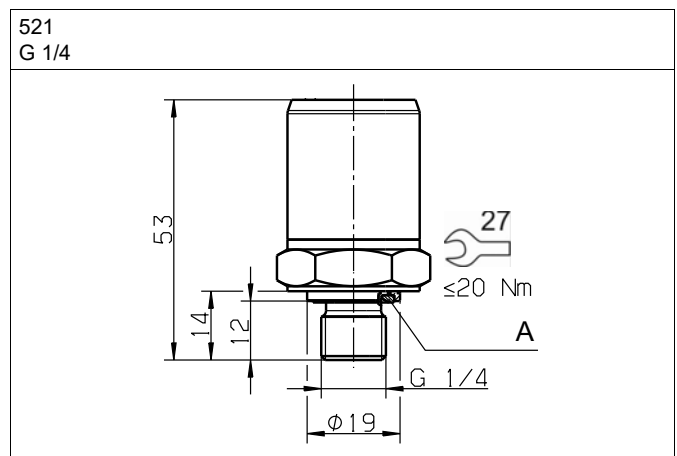
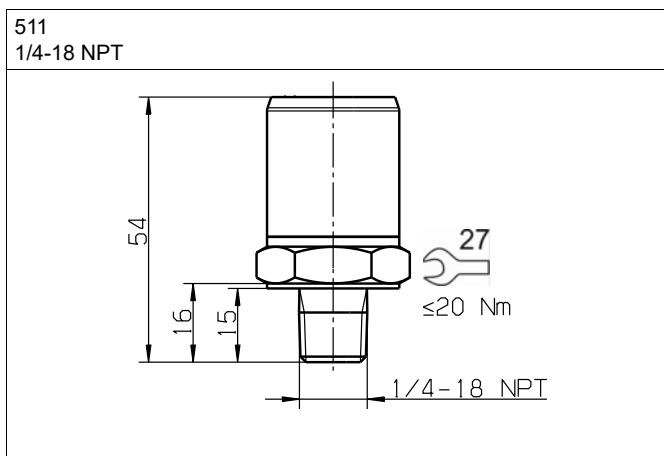
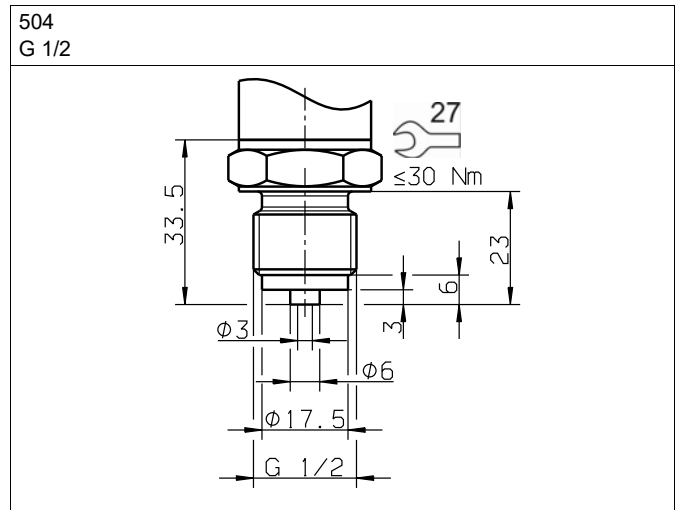
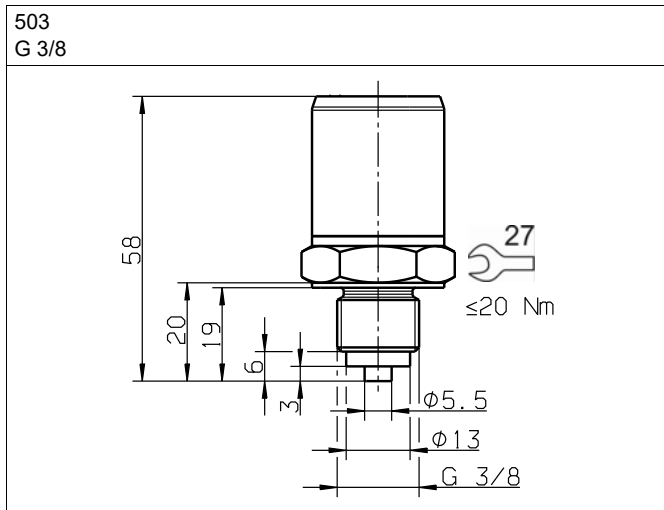
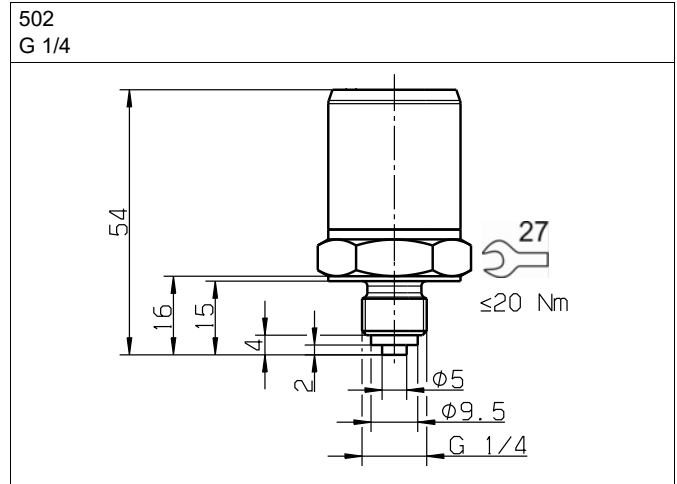
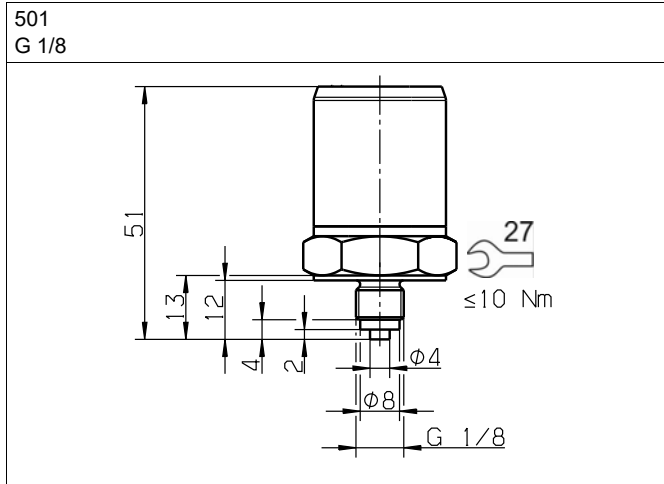
JUMO GmbH & Co. KG
 Delivery address: Mackenrodtstraße 14
 36039 Fulda, Germany
 Postal address: 36035 Fulda, Germany
 Phone: +49 661 6003-0
 Fax: +49 661 6003-607
 Email: mail@jumo.net
 Internet: www.jumo.net

JUMO Instrument Co. Ltd.
 JUMO House
 Temple Bank, Riverway
 Harlow, Essex, CM20 2DY, UK
 Phone: +44 1279 63 55 33
 Fax: +44 1279 62 50 29
 Email: sales@jumo.co.uk
 Internet: www.jumo.co.uk

JUMO Process Control, Inc.
 6733 Myers Road
 East Syracuse, NY 13057, USA
 Phone: +1 315 437 5866
 Fax: +1 315 437 5860
 Email: info.us@jumo.net
 Internet: www.jumousa.com



Process connection



A Profile seal G 1/4

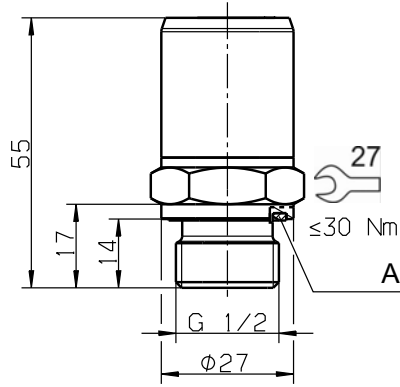
JUMO GmbH & Co. KG
 Delivery address: Mackenrodtstraße 14
 36039 Fulda, Germany
 Postal address: 36035 Fulda, Germany
 Phone: +49 661 6003-0
 Fax: +49 661 6003-607
 Email: mail@jumo.net
 Internet: www.jumo.net

JUMO Instrument Co. Ltd.
 JUMO House
 Temple Bank, Riverway
 Harlow, Essex, CM20 2DY, UK
 Phone: +44 1279 63 55 33
 Fax: +44 1279 62 50 29
 Email: sales@jumo.co.uk
 Internet: www.jumo.co.uk

JUMO Process Control, Inc.
 6733 Myers Road
 East Syracuse, NY 13057, USA
 Phone: +1 315 437 5866
 Fax: +1 315 437 5860
 Email: info.us@jumo.net
 Internet: www.jumousa.com

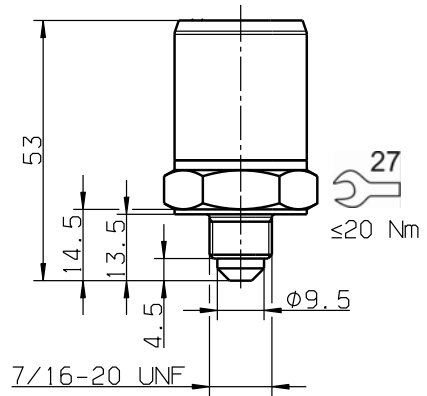


523
G 1/2

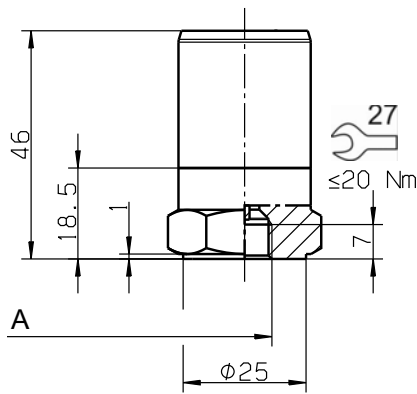


A Profile seal G 1/2

562
7/16-20 UNF

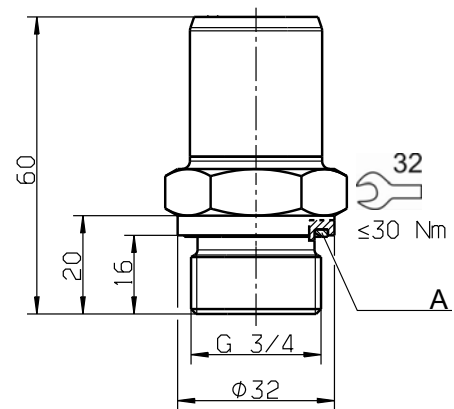


563
7/16-20 UNF interior, with valve core handle



A 7/16 UNF interior

571
G 3/4

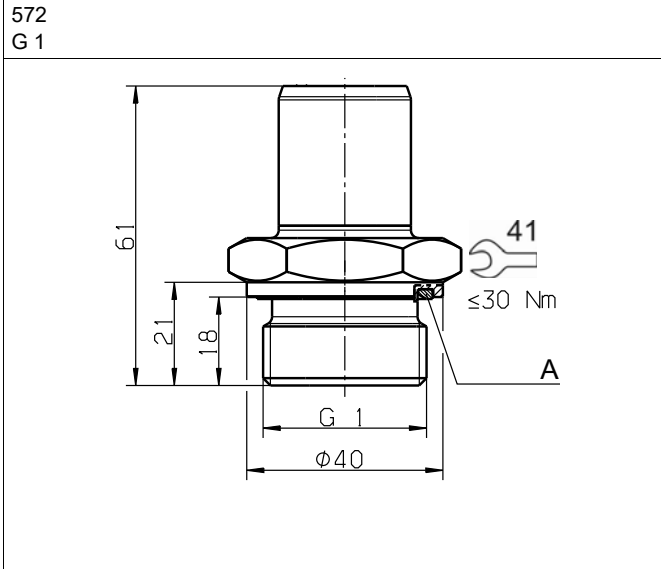


A Profile seal G 3/4

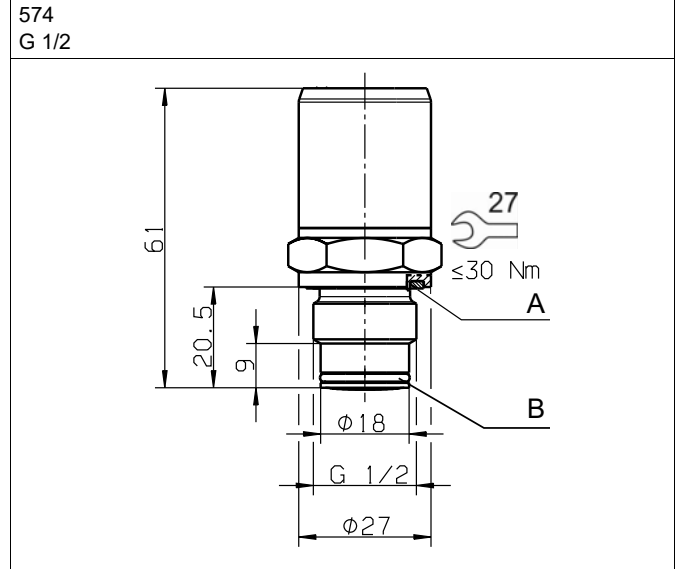
JUMO GmbH & Co. KG
 Delivery address: Mackenrodtstraße 14
 36039 Fulda, Germany
 Postal address: 36035 Fulda, Germany
 Phone: +49 661 6003-0
 Fax: +49 661 6003-607
 Email: mail@jumo.net
 Internet: www.jumo.net

JUMO Instrument Co. Ltd.
 JUMO House
 Temple Bank, Riverway
 Harlow, Essex, CM20 2DY, UK
 Phone: +44 1279 63 55 33
 Fax: +44 1279 62 50 29
 Email: sales@jumo.co.uk
 Internet: www.jumo.co.uk

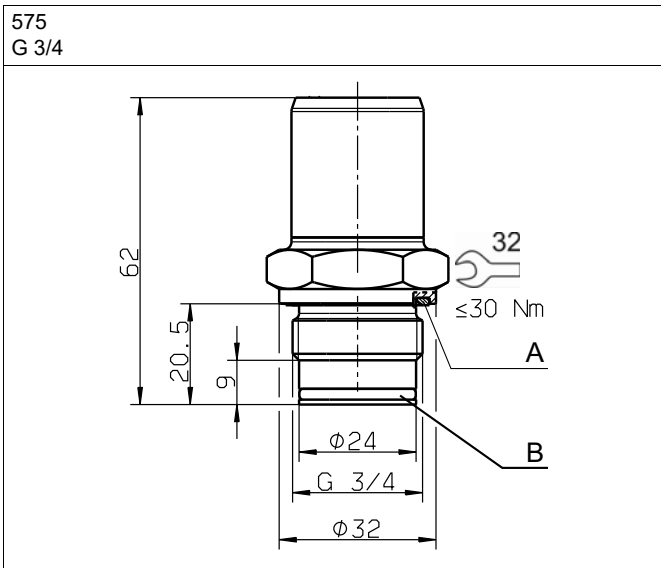
JUMO Process Control, Inc.
 6733 Myers Road
 East Syracuse, NY 13057, USA
 Phone: +1 315 437 5866
 Fax: +1 315 437 5860
 Email: info.us@jumo.net
 Internet: www.jumousa.com



A Profile seal G 1

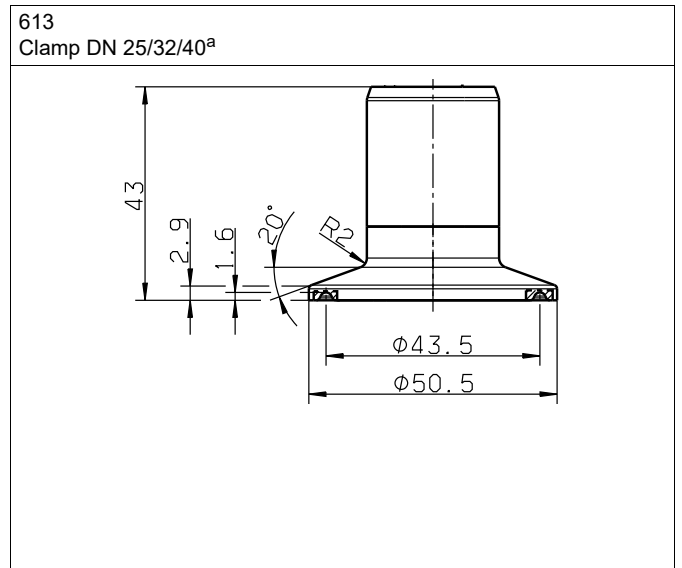


A Profile seal G 1/2
 B O-ring 15.1 × 1.6



A Profile seal G 3/4
 B O-ring 20.35 × 1.78

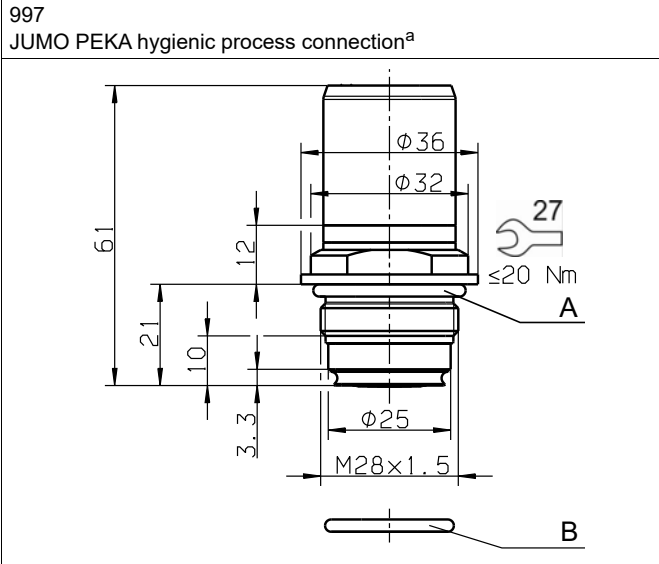
^a Certified according to EHEDG



JUMO GmbH & Co. KG
Delivery address: Mackenrodtstraße 14
36039 Fulda, Germany
Postal address: 36035 Fulda, Germany
Phone: +49 661 6003-0
Fax: +49 661 6003-607
Email: mail@jumo.net
Internet: www.jumo.net

JUMO Instrument Co. Ltd.
JUMO House
Temple Bank, Riverway
Harlow, Essex, CM20 2DY, UK
Phone: +44 1279 63 55 33
Fax: +44 1279 62 50 29
Email: sales@jumo.co.uk
Internet: www.jumo.co.uk

JUMO Process Control, Inc.
6733 Myers Road
East Syracuse, NY 13057, USA
Phone: +1 315 437 5866
Fax: +1 315 437 5860
Email: info.us@jumo.net
Internet: www.jumousa.com



- A O-ring 26 × 2.5
- B O-ring 21 × 2.5,
not included in the delivery scope, see data sheet 409711

^a Certified according to EHEDG

JUMO GmbH & Co. KG
 Delivery address: Mackenrodtstraße 14
 36039 Fulda, Germany
 Postal address: 36035 Fulda, Germany
 Phone: +49 661 6003-0
 Fax: +49 661 6003-607
 Email: mail@jumo.net
 Internet: www.jumo.net

JUMO Instrument Co. Ltd.
 JUMO House
 Temple Bank, Riverway
 Harlow, Essex, CM20 2DY, UK
 Phone: +44 1279 63 55 33
 Fax: +44 1279 62 50 29
 Email: sales@jumo.co.uk
 Internet: www.jumo.co.uk

JUMO Process Control, Inc.
 6733 Myers Road
 East Syracuse, NY 13057, USA
 Phone: +1 315 437 5866
 Fax: +1 315 437 5860
 Email: info.us@jumo.net
 Internet: www.jumousa.com



Connection diagram

The connection diagram in the data sheet provides preliminary information about the connection options. For the electrical connection, only use the installation instructions or the operating manual. The knowledge and the correct technical compliance with the safety information and warnings contained in these documents are mandatory for mounting, electrical connection, and startup as well as for safety during operation.

Connection		Terminal assignment ^a			
		11 Attached cable	36 Round plug M12 × 1	53 Bayonet connector	61 Line socket
4 to 20 mA, two-wire					
Spannungsversorgung DC 10 bis 30 V	U _B /S+ 0 V/S-	WH BN	1 3	1 2	1 2
DC 0.5 to 4.5 V ratiometric					
Voltage supply DC 4.75 to 5.25 V ratiometric output 10 to 90 % of voltage supply	U _B 0 V/S- S+	WH BN YE	1 2 3	1 2 3	1 2 3
DC 0 to 10 V, three-wire					
Voltage supply DC 11.5 to 30 V	U _B 0 V/S- S+	WH BN YE	1 2 3	1 2 3	1 2 3
DC 1 to 5 V, three-wire, DC 1 to 6 V, three-wire					
Voltage supply DC 8 to 30 V	U _B 0 V/S- S+	WH BN YE	1 2 3	1 2 3	1 2 3
Functional bonding conductor FB ^b		-	4	-	

^a Figure: Connection to the pressure transmitter

^b The pressure transmitter has to be connected to the potential equalization system of the plant via the electrical connection or process connection.

Color coding: connecting cable round plug M12 × 1		
	1 BN	Brown
	2 WH	White
	3 BU	Blue
	4 BK	Black

The color coding is **only** valid for A-coded standard cables!

JUMO GmbH & Co. KG
 Delivery address: Mackenrodtstraße 14
 36039 Fulda, Germany
 Postal address: 36035 Fulda, Germany
 Phone: +49 661 6003-0
 Fax: +49 661 6003-607
 Email: mail@jumo.net
 Internet: www.jumo.net

JUMO Instrument Co. Ltd.
 JUMO House
 Temple Bank, Riverway
 Harlow, Essex, CM20 2DY, UK
 Phone: +44 1279 63 55 33
 Fax: +44 1279 62 50 29
 Email: sales@jumo.co.uk
 Internet: www.jumo.co.uk

JUMO Process Control, Inc.
 6733 Myers Road
 East Syracuse, NY 13057, USA
 Phone: +1 315 437 5866
 Fax: +1 315 437 5860
 Email: info.us@jumo.net
 Internet: www.jumousa.com



Order details

	(1) Basic type
401006/000	JUMO MIDAS SI – OEM-Pressure transmitter
	(2) Input
451	0 to 0.25 bar relative pressure
452	0 to 0.4 bar relative pressure
453	0 to 0.6 bar relative pressure
454	0 to 1 bar relative pressure
455	0 to 1.6 bar relative pressure
478	-1 to 0 bar relative pressure
479	-1 to +0.6 bar relative pressure
487	0 to 0.6 bar absolute pressure
488	0 to 1.0 bar absolute pressure
489	0 to 1.6 bar absolute pressure
490	0 to 2.5 bar absolute pressure
491	0 to 4 bar absolute pressure
492	0 to 6 bar absolute pressure
493	0 to 10 bar absolute pressure
494	0 to 16 bar absolute pressure
998	Special measuring range for absolute pressure
999	Special measuring range for relative pressure
	(3) Output
405	4 to 20 mA, two-wire
412	DC 0.5 to 4.5 V, three-wire
415	DC 0 to 10 V, three-wire
418	DC 1 to 5 V, three-wire
420	DC 1 to 6 V, three-wire
	(4) Process connection
501	G 1/8, DIN EN 837
502	G 1/4, DIN EN 837
503	G 3/8, DIN EN 837
504	G 1/2, DIN EN 837
511	1/4-18 NPT, DIN EN 837
521	G 1/4, DIN 3852-11
523	G 1/2, DIN 3852-11
562	7/16-20 UNF
563	7/16-20 UNF interior, with valve core handle
571	G 3/4 front-flush, DIN EN ISO 228-1
572	G 1 front-flush, DIN EN ISO 228-1
574	G 1/2 front-flush, with double seal
575	G 3/4 front-flush, with double seal
613	Clamp DN 25/32/40, DIN 32676/1, certified according to EHEDG
997	JUMO PEKA hygienic process connection, certified according to EHEDG
	(5) Process connection material
20	CrNi (stainless steel)
	(6) Electrical connection
11	Attached cable (standard cable length is 2 m, further lengths available upon request)
36	Round plug M12 × 1
53	Bayonet connector, DIN 72585
61	Line socket DIN EN 175301-802, form A

JUMO GmbH & Co. KG
 Delivery address: Mackenrodtstraße 14
 36039 Fulda, Germany
 Postal address: 36035 Fulda, Germany
 Phone: +49 661 6003-0
 Fax: +49 661 6003-607
 Email: mail@jumo.net
 Internet: www.jumo.net

JUMO Instrument Co. Ltd.
 JUMO House
 Temple Bank, Riverway
 Harlow, Essex, CM20 2DY, UK
 Phone: +44 1279 63 55 33
 Fax: +44 1279 62 50 29
 Email: sales@jumo.co.uk
 Internet: www.jumo.co.uk

JUMO Process Control, Inc.
 6733 Myers Road
 East Syracuse, NY 13057, USA
 Phone: +1 315 437 5866
 Fax: +1 315 437 5860
 Email: info.us@jumo.net
 Internet: www.jumousa.com



(7) Extra code	
000	None
591	Choke in the pressure channel
624	Oil and grease free
630	Enlarged pressure channel
631	Improved moisture and vibration protection

⇒ For suitable process connection adapters, see data sheet 409711.

Order code (1) - (2) - (3) - (4) - (5) - (6) / (7)
 Order example 401006/000 - 454 - 405 - 523 - 20 - 11 / 000

Accessories

Designation	Part no.
Line socket, straight, 4-pole, M12 × 1, 2 m	00404585
Line socket, angled, 4-pole, M12 × 1, 2 m	00409334
Line socket, pressure compensation, 4-pole, M12 × 1, 5 m	00512341