

JUMO GmbH & Co. KG
 Delivery address: Mackenrodtstraße 14
 36039 Fulda, Germany
 Postal address: 36035 Fulda, Germany
 Phone: +49 661 6003-0
 Fax: +49 661 6003-607
 Email: mail@jumo.net
 Internet: www.jumo.net

JUMO Instrument Co. Ltd.
 JUMO House
 Temple Bank, Riverway
 Harlow, Essex, CM20 2DY, UK
 Phone: +44 1279 63 55 33
 Fax: +44 1279 62 50 29
 Email: sales@jumo.co.uk
 Internet: www.jumo.co.uk

JUMO Process Control, Inc.
 6724 Joy Road
 East Syracuse, NY 13057, USA
 Phone: +1 315 437 5866
 Fax: +1 315 437 5860
 Email: info.us@jumo.net
 Internet: www.jumousa.com



JUMO dTRANS p20 Ex d

Process pressure transmitter with explosion-proof enclosure

Brief description

The pressure transmitter with HART® interface combines maximum precision with simple operation. It is used to measure the relative or absolute pressures of gases, vapors, and liquids. The integrated LCD display shows the measured values and device data.

The pressure transmitter with flameproof enclosure can be installed up until zone 0. The housing and sensors are manufactured from high-grade stainless steel. Various flush-mounted process connections are available for applications with hygienic requirements, including PEKA connection system (see data sheet 409711).

Diaphragm seals can also be connected for specific process technology applications (see data sheets 409772 to 409784).

The transmitter is programmable and therefore readily adaptable to a variety of different measurement tasks. An easy-to-use setup program is available as an accessory to enable operation via the interfaces. A rotary knob makes manual operation on-site very convenient and quick.

The pressure transmitter with 4 to 20 mA and HART® protocol was evaluated with regard to functional safety and is certified by exida according to IEC 61508/-1/-2/-3. These measuring devices are suitable for monitoring process level and process pressure up to SIL2. Further details can be found in the Safety Manual.

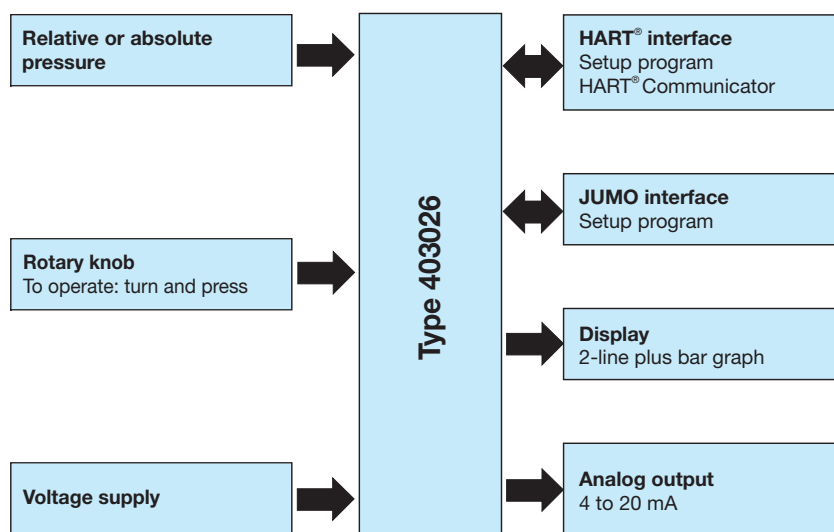
For the „Ex ia“ explosion protection version, see data sheet 403025.

For the differential pressure version, see data sheets 403022 and 403023.



Type 403026

Block diagram



Special features

- Stainless steel case
- SIL certified (exida)
- HART® interface
- Explosion protection Ex d (gas and dust) according to ATEX, NEPSI, and EAC
- Linearity 0.05 %
- Turn down: 1:50
- Simple operation with rotary knob
- Setup program
- LCD display with bar graph
- Display scaling with a choice of measuring units
- Display of sensor temperature
- Display of minimum and maximum pressures
- Current-generator function

Approvals and approval marks



JUMO GmbH & Co. KG
 Delivery address: Mackenrodtstraße 14
 36039 Fulda, Germany
 Postal address: 36035 Fulda, Germany
 Phone: +49 661 6003-0
 Fax: +49 661 6003-607
 Email: mail@jumo.net
 Internet: www.jumo.net

JUMO Instrument Co. Ltd.
 JUMO House
 Temple Bank, Riverway
 Harlow, Essex, CM20 2DY, UK
 Phone: +44 1279 63 55 33
 Fax: +44 1279 62 50 29
 Email: sales@jumo.co.uk
 Internet: www.jumo.co.uk

JUMO Process Control, Inc.
 6724 Joy Road
 East Syracuse, NY 13057, USA
 Phone: +1 315 437 5866
 Fax: +1 315 437 5860
 Email: info.us@jumo.net
 Internet: www.jumousa.com



Technical data

General Information

Reference conditions	DIN EN 60770 and DIN EN 61298
Ambient temperature	22 °C ±5 K
Air pressure	1000 hPa (±25 hPa)
Voltage supply	DC 24 V
Burden	50 Ω
Sensor system	Silicon sensor with stainless steel separating diaphragm
Pressure transfer medium	
For measuring system filling medium 0	Without transfer medium
For measuring system filling medium 1	Silicon oil, FDA compliant
Admissible load changes	> 10 million
Position	
Mounting position	Any
Calibration position	Device upright, process connection at the bottom
Zero offset depending on position	A zero offset is possible on-site or via setup.
Display ^a	LCD, two-line with bar graph
Alignment	Display unit rotatable in 90° steps Housing rotatable ±160°
Size	Display 22 × 35 mm, font size 7 mm/5 digits
Color	Black
Portrayable measuring units	
Input pressure	mH ₂ O, inH ₂ O, inHg, ftH ₂ O, mmH ₂ O, mmHg, psi, bar, mbar, kg/cm ² , kPa, Torr, MPa
Measured value	% or scaled with freely adjustable measuring unit
Output current	mA
Sensor temperature	°C, °F
Additional display data	Minimum pressure, maximum pressure, error, overrange, underrange, operating hours, device parameters
Operation	
On-site	With rotary knob and LCD
Setup program	Via interface
Interface	
Standard	JUMO interface ^b
For output 410 (4 to 20 mA with HART®)	JUMO interface ^b and HART® interface

^a optional; SIL version only available with display

^b The JUMO interface may not be used in a potentially explosive area! In such a case the device can be operated via the rotary knob or the HART® interface.

JUMO GmbH & Co. KG
 Delivery address: Mackenrodtstraße 14
 36039 Fulda, Germany
 Postal address: 36035 Fulda, Germany
 Phone: +49 661 6003-0
 Fax: +49 661 6003-607
 Email: mail@jumo.net
 Internet: www.jumo.net

JUMO Instrument Co. Ltd.
 JUMO House
 Temple Bank, Riverway
 Harlow, Essex, CM20 2DY, UK
 Phone: +44 1279 63 55 33
 Fax: +44 1279 62 50 29
 Email: sales@jumo.co.uk
 Internet: www.jumo.co.uk

JUMO Process Control, Inc.
 6724 Joy Road
 East Syracuse, NY 13057, USA
 Phone: +1 315 437 5866
 Fax: +1 315 437 5860
 Email: info.us@jumo.net
 Internet: www.jumousa.com



Input

Relative pressure				
Nominal measuring range	-600 to +600 mbar	-1 to +2.5 bar	-1 to +4 bar	-1 to +10 bar
Overload capability	6 bar	15 bar	30 bar	60 bar
Burst pressure	12 bar	30 bar	60 bar	100 bar
Relative pressure				
Nominal measuring range	-1 to +25 bar	-1 to +100 bar	-1 to +250 bar	-1 to +600 bar
Overload capability	150 bar	300 bar	600 bar	1200 bar
Burst pressure	250 bar	400 bar	700 bar	2000 bar

Absolute pressure						
Nominal measuring range	0 to 0.6 bar	0 to 2.5 bar	0 to 4 bar	0 to 10 bar	0 to 25 bar	0 to 100 bar
Overload capability	6 bar	15 bar	30 bar	60 bar	150 bar	300 bar
Burst pressure	12 bar	30 bar	60 bar	100 bar	250 bar	400 bar

Output

Analog output For output 410 (4 to 20 mA with HART®) Jump response time T60 Attenuation	4 to 20 mA, two-wire with HART® version 7 ≤ 190 ms without attenuation Adjustable 0 to 100 s
Burden For output 410 (4 to 20 mA with HART®)	$Burden \leq (U_B - 12 V) \div 0.022 A$; additional: min. 250 Ω, max. 1100 Ω

Voltage supply

Voltage supply	DC 12 to 36 V
----------------	---------------


JUMO GmbH & Co. KG
 Delivery address: Mackenrodtstraße 14
 36039 Fulda, Germany
 Postal address: 36035 Fulda, Germany
 Phone: +49 661 6003-0
 Fax: +49 661 6003-607
 Email: mail@jumo.net
 Internet: www.jumo.net

JUMO Instrument Co. Ltd.
 JUMO House
 Temple Bank, Riverway
 Harlow, Essex, CM20 2DY, UK
 Phone: +44 1279 63 55 33
 Fax: +44 1279 62 50 29
 Email: sales@jumo.co.uk
 Internet: www.jumo.co.uk

JUMO Process Control, Inc.
 6724 Joy Road
 East Syracuse, NY 13057, USA
 Phone: +1 315 437 5866
 Fax: +1 315 437 5860
 Email: info.us@jumo.net
 Internet: www.jumousa.com



Mechanical features

Process connection Materials For process connection 20 (stainless steel) For process connection 82 (HASTELLOY®) Surface	316 L for front-flush process connections Otherwise 316 Ti 2.4819 NiMo Ra ≤ 0.8 µm
Process seal Process connection 571 (G 3/4 front-flush) and process connection 652 (tank connection with grooved union nut) For process connection 997 (JUMO PEKA) For all other process connections	FPM FDA compliant: FPM, VMQ, EPDM as an option, see data sheet 409711 No seal
Measuring membranes For material lid 20 (stainless steel) For material lid 82 (plastic) Surface	1.4542 for -1 to +250 bar relative pressure (measuring range 508) and -1 to +600 bar relative pressure (measuring range 516) Otherwise 316 L 2.4819 NiMo Ra ≤ 0.8 µm
Housing Housing material Cover material Material of control knob For operation 0 (without control knob) For operation 1 (with control knob)	Precision casting 1.4408 Precision casting 1.4408, seal FPM - PA
Explosion protection	EC type examination certificate SEV 10 ATEX 0127 X  II 1/2G Ex d IIC T6 ... T4 Ga/Gb II 2D Ex tb IIIC T105 °C Db
Weight	Approximately 1.6 kg

JUMO GmbH & Co. KG
 Delivery address: Mackenrodtstraße 14
 36039 Fulda, Germany
 Postal address: 36035 Fulda, Germany
 Phone: +49 661 6003-0
 Fax: +49 661 6003-607
 Email: mail@jumo.net
 Internet: www.jumo.net

JUMO Instrument Co. Ltd.
 JUMO House
 Temple Bank, Riverway
 Harlow, Essex, CM20 2DY, UK
 Phone: +44 1279 63 55 33
 Fax: +44 1279 62 50 29
 Email: sales@jumo.co.uk
 Internet: www.jumo.co.uk

JUMO Process Control, Inc.
 6724 Joy Road
 East Syracuse, NY 13057, USA
 Phone: +1 315 437 5866
 Fax: +1 315 437 5860
 Email: info.us@jumo.net
 Internet: www.jumousa.com



Environmental influences

Admissible temperatures Operation	Version	Temperature class	Maximum medium temperature	Ambient temperature ^a	Expanded ambient temperature (extra code 681) ^{a, b, c}
	II 1/2G Ex d	T6	70 °C	-40 to +60 °C	-50 to +60 °C
		T5	85 °C	-40 to +70 °C	-50 to +70 °C
		T4	115 °C	-40 to +85 °C	-50 to +85 °C
	II 2D Ex tb	T105 °C	100 °C	-40 to +85 °C	-50 to +85 °C
Storage	-40 to +85 °C				
Admissible humidity Operation	100 % including condensation on the device outer case				
Storage	90 % without condensation				
Admissible mechanical load Vibration strength	2 g, 10 to 2000 Hz according to DIN EN 60770-3				
Shock resistance	15 g for 6 ms according to IEC 60068-2-27				
Electromagnetic compatibility Interference emission	According to EN 61326 Class B ^d				
Interference immunity	Industry				
Protection type	IP66 according to DIN EN 60529				

^a Under -20 °C limited function: stationary use, increased danger of cable break, display without function; under -30 °C operation of the device not possible.

^b In the range from -40 to -50 °C the device must be permanently in operation. Furthermore, the lid with the device inspection glass must additionally be protected against mechanical impact and shock effects. Please contact JUMO for further details.

^c Without SIL

^d The product is suitable for industrial use as well as for households and small businesses.

JUMO GmbH & Co. KG
 Delivery address: Mackenrodtstraße 14
 36039 Fulda, Germany
 Postal address: 36035 Fulda, Germany
 Phone: +49 661 6003-0
 Fax: +49 661 6003-607
 Email: mail@jumo.net
 Internet: www.jumo.net

JUMO Instrument Co. Ltd.
 JUMO House
 Temple Bank, Riverway
 Harlow, Essex, CM20 2DY, UK
 Phone: +44 1279 63 55 33
 Fax: +44 1279 62 50 29
 Email: sales@jumo.co.uk
 Internet: www.jumo.co.uk

JUMO Process Control, Inc.
 6724 Joy Road
 East Syracuse, NY 13057, USA
 Phone: +1 315 437 5866
 Fax: +1 315 437 5860
 Email: info.us@jumo.net
 Internet: www.jumousa.com



Accuracy

Including non-linearity, hysteresis, non-repeatability, zero point and final value deviation (corresponds to measurement deviations according to IEC 61298-2), calibrated at vertical installation position with the process connection at the bottom

Relative pressure				
Nominal measuring range	-600 to +600 mbar	-1 to +2.5 bar	-1 to +4 bar	-1 to +10 bar
Default measuring range	0 to 600 mbar	0 to 2.5 bar	0 to 4 bar	0 to 10 bar
Smallest MSP ^a	60 mbar	0.1 bar	0.1 bar	0.5 bar
Turndown ratio (r) ^b	r ≤ 20	r ≤ 50	r ≤ 50	r ≤ 50
Non-linearity for reference conditions ^c	0.06 %	0.04 %	0.04 %	0.04 %
Accuracy in % of the set MSP Range: -20 to +60 °C	r × 0.12 % for 1 ≤ r ≤ 20	r × 0.08 % for 1 ≤ r ≤ 50	r × 0.08 % for 1 ≤ r ≤ 50	r × 0.08 % for 1 ≤ r ≤ 50
Accuracy in % of the set MSP Range: -40 to -20 °C or 60 to 85 °C	r × 0.18 % for 1 ≤ r ≤ 20 ^d	r × 0.12 % for 1 ≤ r ≤ 50	r × 0.12 % for 1 ≤ r ≤ 50	r × 0.12 % for 1 ≤ r ≤ 50
Long-term stability in % as of the nominal measuring range	0.1 %/year			
Relative pressure				
Nominal measuring range	-1 to +25 bar	-1 to +100 bar	-1 to +250 bar	-1 to +600 bar
Default measuring range	0 to 25 bar	0 to 100 bar	0 to 250 bar	0 to 600 bar
Smallest MSP	0.5 bar	5 bar	12.5 bar	30 bar
Turndown ratio (r) ^b	r ≤ 52	r ≤ 20	r ≤ 20	r ≤ 20
Non-linearity for reference conditions ^c	0.04 %	0.04 %	0.04 %	0.08 %
Accuracy in % of the set MSP Range: -20 to +60 °C	r × 0.08 % for 1 ≤ r ≤ 52	r × 0.08 % for 1 ≤ r ≤ 20	r × 0.08 % for 1 ≤ r ≤ 20	r × 0.16 % for 1 ≤ r ≤ 20
Accuracy in % of the set MSP Range: -40 to -20 °C or 60 to 85 °C	r × 0.12 % for 1 ≤ r ≤ 52	r × 0.12 % for 1 ≤ r ≤ 20	r × 0.12 % for 1 ≤ r ≤ 20	r × 0.24 % for 1 ≤ r ≤ 20
Long-term stability in % as of the nominal measuring range	0.1 %/year			

JUMO GmbH & Co. KG
 Delivery address: Mackenrodtstraße 14
 36039 Fulda, Germany
 Postal address: 36035 Fulda, Germany
 Phone: +49 661 6003-0
 Fax: +49 661 6003-607
 Email: mail@jumo.net
 Internet: www.jumo.net

JUMO Instrument Co. Ltd.
 JUMO House
 Temple Bank, Riverway
 Harlow, Essex, CM20 2DY, UK
 Phone: +44 1279 63 55 33
 Fax: +44 1279 62 50 29
 Email: sales@jumo.co.uk
 Internet: www.jumo.co.uk

JUMO Process Control, Inc.
 6724 Joy Road
 East Syracuse, NY 13057, USA
 Phone: +1 315 437 5866
 Fax: +1 315 437 5860
 Email: info.us@jumo.net
 Internet: www.jumousa.com



Absolute pressure				
Nominal measuring range	0 to 600 mbar	0 to 2.5 bar	0 to 4 bar	0 to 10 bar
Default measuring range	0 to 600 mbar	0 to 2.5 bar	0 to 4 bar	0 to 10 bar
Smallest MSP ^a	60 mbar	0.1 bar	0.1 bar	0.5 bar
Turndown ratio (r) ^b	r ≤ 10	r ≤ 20	r ≤ 40	r ≤ 20
Non-linearity for reference conditions ^c	0.12 %	0.04 %	0.04 %	0.04 %
Accuracy in % of the set MSP Range: -20 to +60 °C	r × 0.24 % for 1 ≤ r ≤ 10	r × 0.08 % for 1 ≤ r ≤ 20	r × 0.08 % for 1 ≤ r ≤ 40	r × 0.08 % for 1 ≤ r ≤ 20
Accuracy in % of the set MSP Range: -40 to -20 °C or 60 to 85 °C	r × 0.36 % for 1 ≤ r ≤ 10 ^d	r × 0.16 % for 1 ≤ r ≤ 20	r × 0.16 % for 1 ≤ r ≤ 40	r × 0.16 % for 1 ≤ r ≤ 20
Long-term stability in % as of the nominal measuring range	0.1 %/year			
Absolute pressure				
Nominal measuring range	0 to 25 bar	0 to 100 bar		
Default measuring range	0 to 25 bar	0 to 100 bar		
Smallest MSP ^a	0.5 bar	5 bar		
Turndown ratio (r) ^b	r ≤ 50	r ≤ 20		
Non-linearity for reference conditions ^c	0.04 %	0.04 %		
Accuracy in % of the set MSP Range: -20 to +60 °C	r × 0.08 % for 1 ≤ r ≤ 50	r × 0.08 % for 1 ≤ r ≤ 20		
Accuracy in % of the set MSP Range: -40 to -20 °C or 60 to 85 °C	r × 0.16 % for 1 ≤ r ≤ 50	r × 0.12 % for 1 ≤ r ≤ 20		
Long-term stability in % as of the nominal measuring range	0.1 %/year			

^a MSP = measuring span

^b r = span of the nominal measuring range + adjusted measuring span

^c Reference conditions: ambient temperature 20 °C (±3 K), air pressure 1000 hPa (±25 hPa)

^d Only up to -30 °C

JUMO GmbH & Co. KG
 Delivery address: Mackenrodtstraße 14
 36039 Fulda, Germany
 Postal address: 36035 Fulda, Germany
 Phone: +49 661 6003-0
 Fax: +49 661 6003-607
 Email: mail@jumo.net
 Internet: www.jumo.net

JUMO Instrument Co. Ltd.
 JUMO House
 Temple Bank, Riverway
 Harlow, Essex, CM20 2DY, UK
 Phone: +44 1279 63 55 33
 Fax: +44 1279 62 50 29
 Email: sales@jumo.co.uk
 Internet: www.jumo.co.uk

JUMO Process Control, Inc.
 6724 Joy Road
 East Syracuse, NY 13057, USA
 Phone: +1 315 437 5866
 Fax: +1 315 437 5860
 Email: info.us@jumo.net
 Internet: www.jumousa.com



Approvals and approval marks

ATEX Testing agency Certificates/certification numbers Inspection basis Valid for	Eurofins Electrosuisse Product Testing AG SEV 10 ATEX 0127 X EN 60079-0, EN 60079-1, EN 60079-26, EN 60079-31 Type 403026/...
EAC TR ZU Testing agency Certificates/certification numbers Inspection basis Valid for	RU RU C-DE.HB07.B.00086/20 TR ZU 012/2011 (Ex) Extra code 226
SIL Testing agency Certificates/certification numbers Inspection basis Valid for	exida JUMO 2203088 C001 IEC 61508:2010-1/-2/-3 Basic type extension 2

The special conditions for use can be found in the type examination certificate, which is available for download on the Internet on the respective product page.

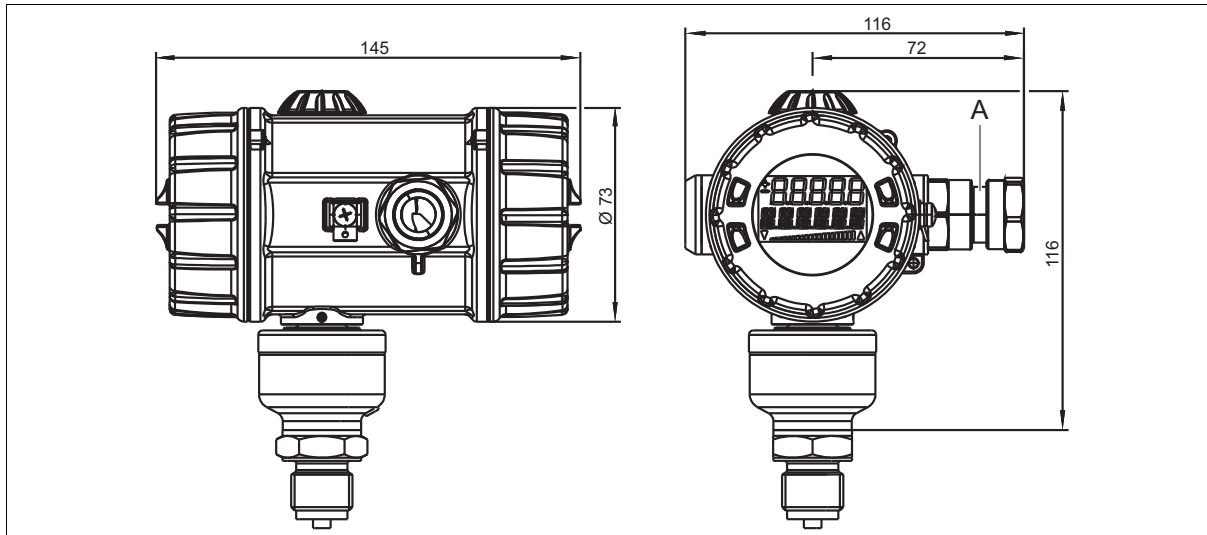
JUMO GmbH & Co. KG
 Delivery address: Mackenrodtstraße 14
 36039 Fulda, Germany
 Postal address: 36035 Fulda, Germany
 Phone: +49 661 6003-0
 Fax: +49 661 6003-607
 Email: mail@jumo.net
 Internet: www.jumo.net

JUMO Instrument Co. Ltd.
 JUMO House
 Temple Bank, Riverway
 Harlow, Essex, CM20 2DY, UK
 Phone: +44 1279 63 55 33
 Fax: +44 1279 62 50 29
 Email: sales@jumo.co.uk
 Internet: www.jumo.co.uk

JUMO Process Control, Inc.
 6724 Joy Road
 East Syracuse, NY 13057, USA
 Phone: +1 315 437 5866
 Fax: +1 315 437 5860
 Email: info.us@jumo.net
 Internet: www.jumousa.com

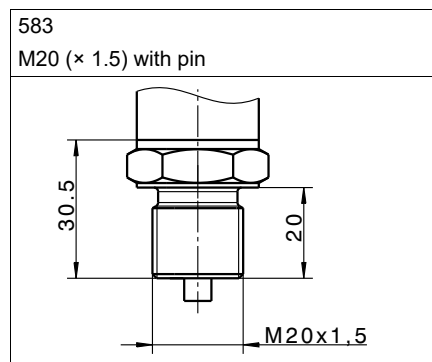
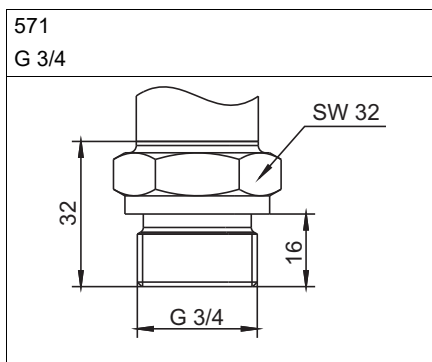
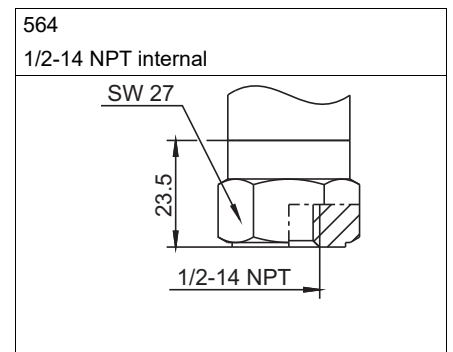
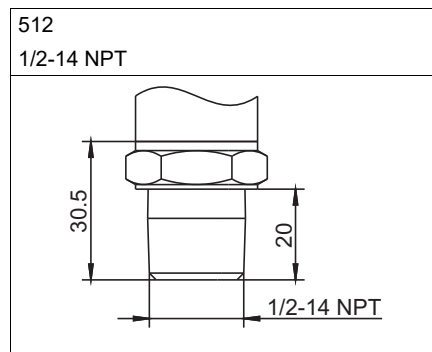
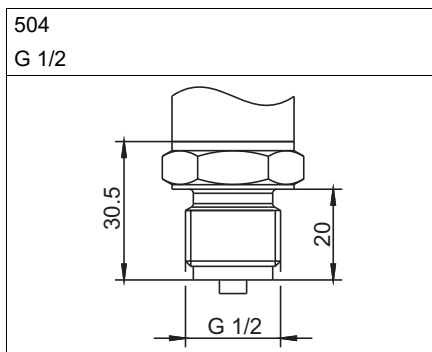


Dimensions



A Kabelverschraubung M20 × 1,5

Process connections



JUMO GmbH & Co. KG
 Delivery address: Mackenrodtstraße 14
 36039 Fulda, Germany
 Postal address: 36035 Fulda, Germany
 Phone: +49 661 6003-0
 Fax: +49 661 6003-607
 Email: mail@jumo.net
 Internet: www.jumo.net

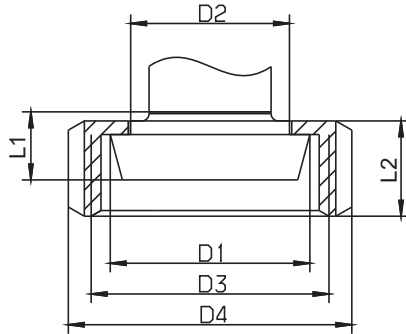
JUMO Instrument Co. Ltd.
 JUMO House
 Temple Bank, Riverway
 Harlow, Essex, CM20 2DY, UK
 Phone: +44 1279 63 55 33
 Fax: +44 1279 62 50 29
 Email: sales@jumo.co.uk
 Internet: www.jumo.co.uk

JUMO Process Control, Inc.
 6724 Joy Road
 East Syracuse, NY 13057, USA
 Phone: +1 315 437 5866
 Fax: +1 315 437 5860
 Email: info.us@jumo.net
 Internet: www.jumousa.com



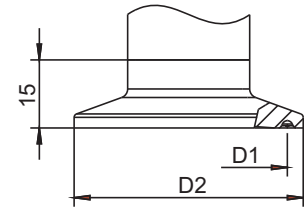
604 and 606

Taper socket with grooved union nut according to DIN 11851



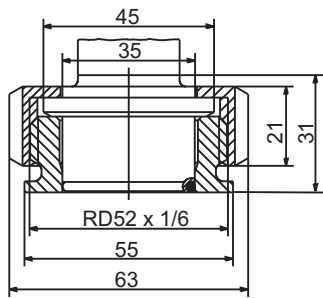
613 and 616

Clamp according to DIN 32676



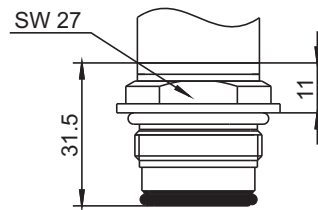
652

Tank connection with grooved union nut
 DN 25



997

JUMO PEKA



Dimensions of the process connections 604, 606, 613, and 616

Connection	DN	D1	D2	D3	D4	L1	L2
604	25	Ø 44	Ø 35	Rd 52 × 1/6"	Ø 63	15	21
606	40	Ø 56	Ø 48	Rd 65 × 1/6"	Ø 78		
613	25	Ø 43,5	Ø 50,5				
616	50	Ø 56,5	Ø 64				

JUMO GmbH & Co. KG
 Delivery address: Mackenrodtstraße 14
 36039 Fulda, Germany
 Postal address: 36035 Fulda, Germany
 Phone: +49 661 6003-0
 Fax: +49 661 6003-607
 Email: mail@jumo.net
 Internet: www.jumo.net

JUMO Instrument Co. Ltd.
 JUMO House
 Temple Bank, Riverway
 Harlow, Essex, CM20 2DY, UK
 Phone: +44 1279 63 55 33
 Fax: +44 1279 62 50 29
 Email: sales@jumo.co.uk
 Internet: www.jumo.co.uk

JUMO Process Control, Inc.
 6724 Joy Road
 East Syracuse, NY 13057, USA
 Phone: +1 315 437 5866
 Fax: +1 315 437 5860
 Email: info.us@jumo.net
 Internet: www.jumousa.com



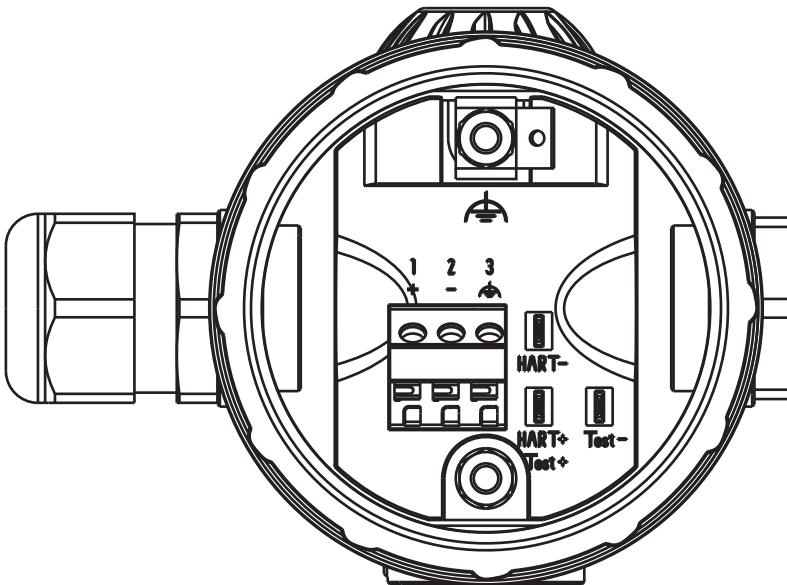
Connection diagram

The connection diagram in the data sheet provides information on product selection.

For the electrical connection, only use the installation instructions or the operating manual.

Connection	Terminal assignment
Voltage supply DC 12 to 36 V	1 L+ 2 L-
Output 4 to 20 mA, two-wire Load-independent current: 4 to 20 mA In voltage supply	1 L+ 2 L-
Test connection for current output Internal resistance of the ammeter $\leq 10 \Omega$	TEST + TEST -
Test connection for HART® The burden must be present!	HART + HART -
FE (functional grounding conductor)	3
Grounding or potential equalization	Outside of the housing

Cable gland



JUMO GmbH & Co. KG

Delivery address: Mackenrodtstraße 14
36039 Fulda, Germany
Postal address: 36035 Fulda, Germany
Phone: +49 661 6003-0
Fax: +49 661 6003-607
Email: mail@jumo.net
Internet: www.jumo.net

JUMO Instrument Co. Ltd.

JUMO House
Temple Bank, Riverway
Harlow, Essex, CM20 2DY, UK
Phone: +44 1279 63 55 33
Fax: +44 1279 62 50 29
Email: sales@jumo.co.uk
Internet: www.jumo.co.uk

JUMO Process Control, Inc.

6724 Joy Road
East Syracuse, NY 13057, USA
Phone: +1 315 437 5866
Fax: +1 315 437 5860
Email: info.us@jumo.net
Internet: www.jumousa.com



Order details

	(1) Basic type
403026	JUMO dTRANS p20 Ex d - process pressure transmitter with flameproof enclosure
	(2) Basic type extension
0	None
2	SIL ^a
9	Special version
	(3) Display
0	None
1	With display
	(4) Operation
0	None
1	With control knob
	(5) Input – nominal measuring range
450	-600 to +600 mbar relative pressure
473	-1 to +2.5 bar relative pressure
513	-1 to +4 bar relative pressure
472	-1 to +10 bar relative pressure
514	-1 to +25 bar relative pressure
515	-1 to +100 bar relative pressure ^b
508	-1 to +250 bar relative pressure ^c
516	-1 to +600 bar relative pressure ^c
487	0 to 0.6 bar absolute pressure
490	0 to 2.5 bar absolute pressure
491	0 to 4 bar absolute pressure
493	0 to 10 bar absolute pressure
495	0 to 25 bar absolute pressure
507	0 to 100 bar absolute pressure
	(6) Output
410	4 to 20 mA, two-wire with HART® protocol
	(7) Process connection
504	G 1/2 according to DIN EN 837
512	1/2-14 NPT according to DIN 837
564	1/2-14 NPT internal
571	G 3/4 front-flush according to DIN EN ISO 228-1
583	M20 (× 1.5) with pin
604	Taper socket with grooved union nut DN 25 according to DIN 11851 (dairy pipe fitting)
606	Taper socket with grooved union nut DN 40 according to DIN 11851 (dairy pipe fitting)
613	Clamp connection DN 25/32/40 according to DIN 32676
616	Clamp connection DN 50 according to DIN 32676/2" ISO 2852
652	Tank connection with grooved union nut DN 25
997	JUMO PEKA hygienic process connection
998	Diaphragm seal process connection
	(8) Process connection material
20	CrNi (stainless steel)
82	NiMo ^d
	(9) Measuring system, filling medium
00	Without ^e
01	Silicon oil

JUMO GmbH & Co. KG
 Delivery address: Mackenrodtstraße 14
 36039 Fulda, Germany
 Postal address: 36035 Fulda, Germany
 Phone: +49 661 6003-0
 Fax: +49 661 6003-607
 Email: mail@jumo.net
 Internet: www.jumo.net

JUMO Instrument Co. Ltd.
 JUMO House
 Temple Bank, Riverway
 Harlow, Essex, CM20 2DY, UK
 Phone: +44 1279 63 55 33
 Fax: +44 1279 62 50 29
 Email: sales@jumo.co.uk
 Internet: www.jumo.co.uk

JUMO Process Control, Inc.
 6724 Joy Road
 East Syracuse, NY 13057, USA
 Phone: +1 315 437 5866
 Fax: +1 315 437 5860
 Email: info.us@jumo.net
 Internet: www.jumousa.com



(10) Extra codes	
000	None
100	Customer-specific factory setting ^f
226	GOST/EAC approval ^g
452	Wetted, electrolytically polished parts
591	Choke in the pressure channel
624	Oil and grease free
630	Enlarged pressure channel
634	TAG number
635	NACE manufacturer's declaration ^h
681	Expanded admissible ambient temperature

^a Only available with display 1. Not available with input 508 and 516 and also extra code 681.

^b Not available with process connection 604, 606, 613, 616.

^c Not available with process connection 571, 604, 606, 613, 616, 997.

^d Not available with input 450, 573, 513, 472, 487, 490, 491, 493.

^e Only available with input 508, 516.

^f Please specify the setting you want in plain text. For default setting see "Accuracy" section in the data sheet.

^g Available upon request.

^h Only available with process connection 512, 565 and process connection material 82. Not available with input 450, 487.

Order code (1) (2) (3) (4) (5) (6) (7) (8) (9) (10)
 Order example 403026 / 0 - 1 - 1 - 514 - 410 - 504 - 20 - 01 / 000

Accessories

Designation	Part no.
PC interface with USB/TTL converter ^a	00456352
HART® modem USB ^b	00443447
Measuring device holder for wall and 2" pipe	00597711

Designation	Data sheet
Valve manifolds	409706
Diaphragm seal with dairy pipe fitting DIN 11851	409772
Diaphragm seal with clamp connection	409774
Druckmittler mit DRD-Flansch oder VARIVENT®-Stutzen	409776
Diaphragm seal with ISS/SMS/RJT socket and (grooved) union nut	409778
Membrane diaphragm seal 4MDV-10	409780
Diaphragm seal with screw-in thread DIN ISO 228/1 or ANSI B1.201	409782
Diaphragm seal with flange connection DIN EN 1092-1 with sealing strip form B1	409784
Diaphragm seal with flange connection according to ANSI B 16.5 with sealing strip form RF	409786

^a The PC interface cable is the connection between the JUMO interface of the differential pressure transmitter and the USB interface of a PC.

^b The HART® modem is the connection between the HART® interface of the differential pressure transmitter and the USB interface of a PC.

Software

Description	Part no.
JUMO setup dTRANS p20 series	00537577
Device Type Manager (DTM), JUMO dTRANS p20	00738288