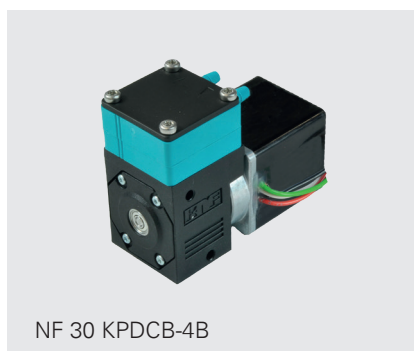


NF 30 DIAPHRAGM LIQUID PUMP



NF 30 KPDCB-4B



NF 30 KP .51DC



NF 30 XTDCB-4

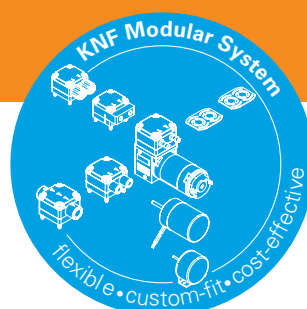
ADVANTAGES

- Self priming
- Extreme chemical resistance
- Dry running, durable and maintenance free
- Available with integrated overpressure relief valve (version .27)

POSSIBLE AREAS OF USE

- Analysers
- Laboratory
- Cleaning industry
- Printing

Please visit our website
www.knf.com
to get more information.



PERFORMANCE DATA					
Series model	NF 30				
Material options	KP/KP .51*	KT	TT	FT	XT
Pump head	PP	PP	PVDF	PTFE	PEEK
Diaphragm	EPDM	PTFE	PTFE	PTFE	PTFE
Valves	EPDM	FFKM	FFKM	FFKM	FFKM
Flow rate at atm. pressure (l/min)	0.3				
Suction height (mH ₂ O)	6	5			4.5
Pressure head (mH ₂ O)	10				
Permissible ambient temperature (°C)	+5 to +40				
Permissible liquid temperature (°C)	+5 to +80				
IP protection factor pump	30				
ELECTRICAL DATA					
Drive options	DC	DCB-B**		DCB-4B**	
Operating voltage (V)	12/24	12/24		10-26.4	
Power consumption (W)	8.3/8.6	7.0/7.7		7.4	
I load max. (A)	0.69/0.36	0.58/0.32		0.68-0.28	
IP protection factor motor	00	54			
Weight (g)	210				

* Food grade conformity according to the standard NSF/ANSI 169
** Stands for brushless DC motor

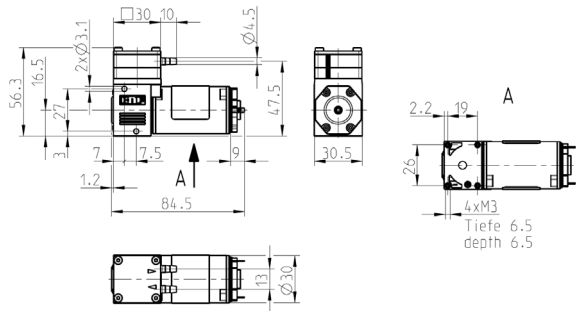
NF 30 DC

PERFORMANCE DATA

Series model	Flow rate at atm. pressure (l/min)	Max. suction height (mH ₂ O)	Max. pressure head (mH ₂ O)
NF 30 DC	0.3	6 ¹⁾	10

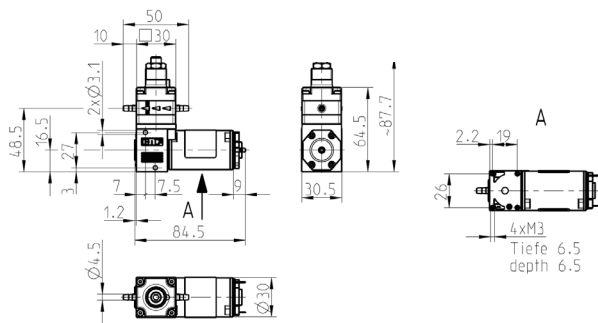
¹⁾ For models with PTFE diaphragm: max. 5 mWg

NF 30 DC



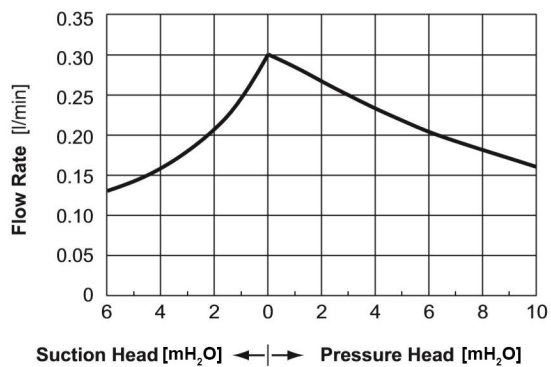
Dimensions in mm

NF 30 .27DC (WITH OVERPRESSURE RELIEF VALVE)



Dimensions in mm

NF 30 DC FLOW CURVE



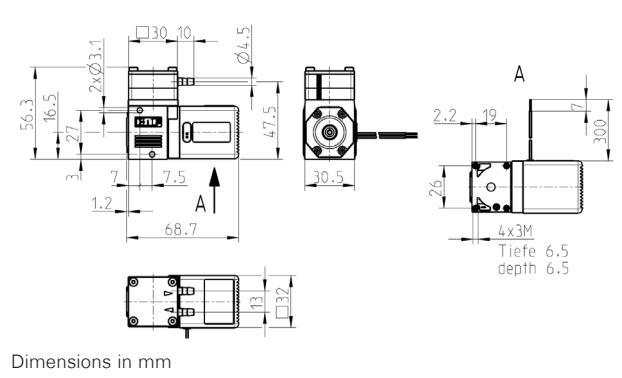
NF 30 DCB-B

PERFORMANCE DATA

Series model	Flow rate at atm. pressure (l/min)	Max. suction height (mH ₂ O)	Max. pressure head (mH ₂ O)
NF 30 DCB-B	0.3	6 ¹⁾	10

¹⁾ For models with PTFE diaphragm: max. 5 mWg

NF 30 DCB-B



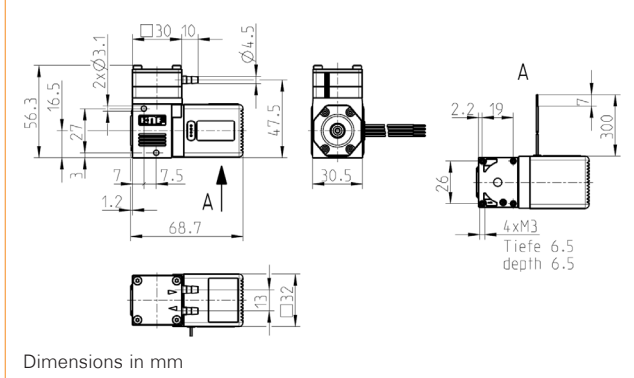
NF 30 DCB-4B

PERFORMANCE DATA

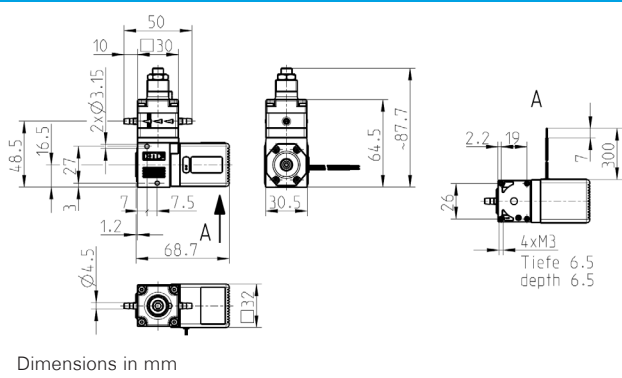
Series model	Flow rate at atm. pressure (l/min)	Max. suction height (mH ₂ O)	Max. pressure head (mH ₂ O)
NF 30 DCB-4B	0.3	6 ¹⁾	10

¹⁾ For models with PTFE diaphragm: max. 5 mWg

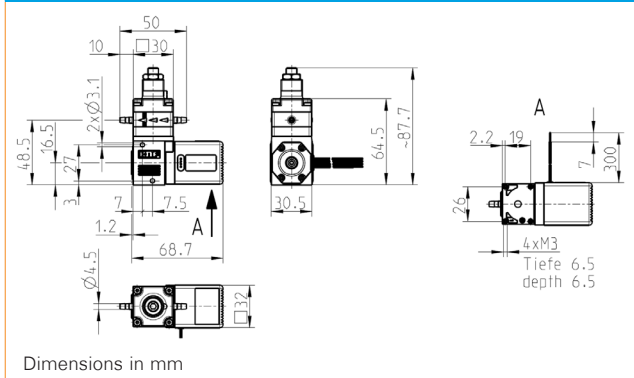
NF 30 DCB-4B



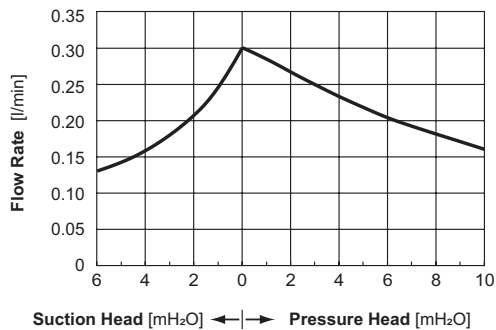
NF 30 .27 DCB-B (WITH OVERPRESSURE RELIEF VALVE)



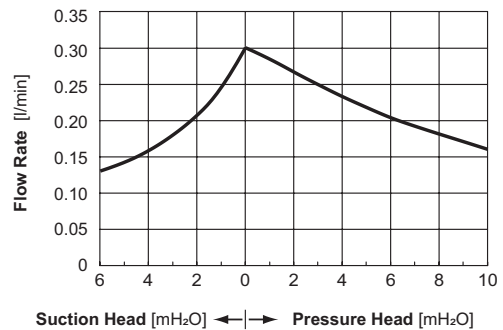
NF 30 .27 DCB-4B (WITH OVERPRESSURE RELIEF VALVE)



NF 30 DCB-B FLOW CURVE



NF 30 DCB-4B FLOW CURVE



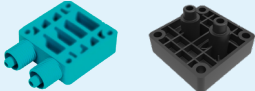


ELECTRIC SPECIFICATIONS

Wires	AWG 24
Wires assignment	red = +VS black = -VS/GND

ELECTRIC SPECIFICATIONS

Wires	AWG 24
Wires assignment	red = +VS black = -VS/GND white = Vctrl-input green = FG-output
Input signal	0-5V

OPTIONS		
Description	Illustration	Details
Motors with special voltages or frequencies		Various voltage options, higher and lower service life
Electrical connectors		Specific customer requirements such as special connections (Molex, AMP, etc.)
Different hydraulic connection types		Internal thread, compression fittings, manifold connection etc.







NSF National Sanitary Foundation

This certification will confirm that all of the pumps with the code .51 are certified for the use with foods/consumables.



DIGITAL CUSTOMIZATION

Thanks to digital technology, this pump can be quickly adapted to the customer's system. This is done by parametrizing the firmware of the motor at KNF.

ACCESSORIES		
Description	Illustration	Details
Fastening elements		Enabling additional mounting options
Diaphragm pressure control valve		The pressure control valve can be used for a more accurate control of flow against a fluctuating back pressure, metering into a vacuum and from a pressurised system.
Pulsation damper		This very versatile pulsation damper reduces the vibration in hoses and pipes and it helps to remove pulsation which is preventing the system from functioning correctly.
Filter		KNF filters protect both pumps and other upstream instrumentation and hydraulic circuits against particulate, crystals and fibres which can improve optimum operation.

The performance values for the series models shown on this data sheet were determined under test conditions. The actual performance values may differ and depend in particular on the usage conditions and therefore on the specific application, on the parameters of the components involved in the user's system and on any technical modifications carried out which deviate from the standard configuration or the as delivered condition.

If individual designs have been created for specific customers on the basis of series models, other technical performance data may apply. Before operation begins, the relevant operating instructions and/or assembly or installation instructions should be read and the safety information contained in these instructions should be noted. KNF reserves the right to make changes to the product and the associated documentation without prior notice to the customer.



www.knf.com