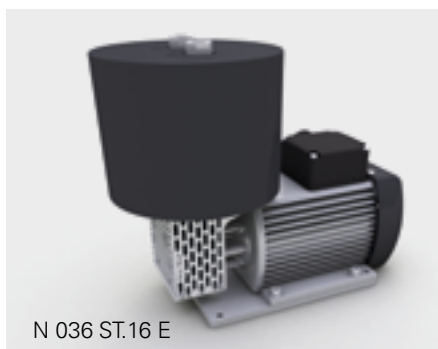


N 036 SERIES | TEMPERATURE-RESISTANT AND HEATED GAS SAMPLING PUMPS



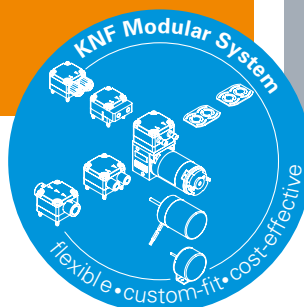
N 036 ST.16 E

ADVANTAGES

- Temperature-resistant (.16) or electrically heated with thermostatic temperature control (.11) for transferring hot process gases of up to 240 °C
- High chemical resistance
- Homogeneous temperature distribution throughout the entire pump head
- No condensation in the pump head

POSSIBLE AREAS OF USE

- Environmental monitoring – especially motor test benches in automobile industry
- Analytical technology
- Research



Please visit our website
www.knf.com
 to get more information

PERFORMANCE DATA			
Series model	N 036		
Material design	AT.16 E	ST.16 E	ST.11 E
Pump head	Aluminum	Stainless steel	
Diaphragm	PTFE		
Valves	PTFE		
Flow rate at atm. pressure (l/min)	30.0		
Ultimate vacuum (mbar abs.)	200		
Max. operating pressure (bar rel./psig)	1.5/21.8		
Permissible ambient temperature (°C)	+5 ... +40		
Permissible media temperature (°C)	+5 ... +240		
Weight (kg/lbs)	10.0/22.0	12.0/26.4	11.9/26.2
ELECTRICAL DATA			
Voltage (V)	230		
Motor	Capacitor motor		
Protection class motor	IP 54		
Frequency (Hz)	50		
Power P ₁ (W)	170		
I _{max} (A)	1.00		

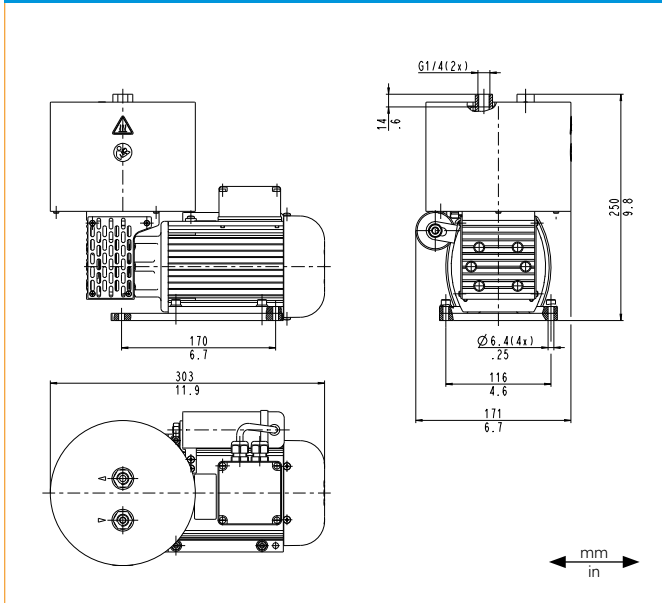
N 036 AT.16 E | ST.16 E

PERFORMANCE DATA

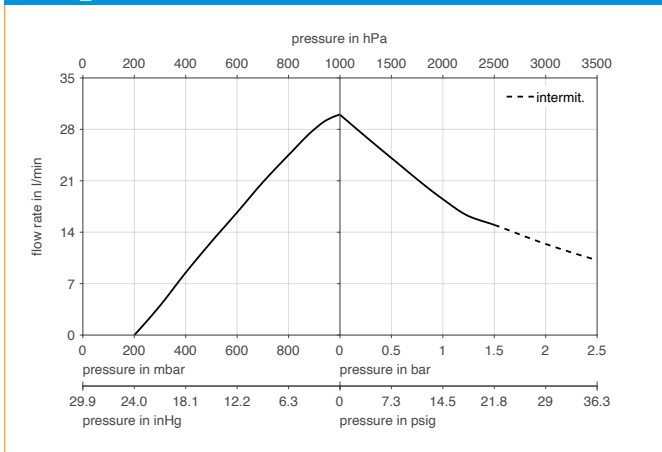
Series model	Flow rate at atm. pressure (l/min) ¹⁾	Max. operating pressure (bar rel./psig)	Ultimate vacuum (mbar abs.)
N 036 AT.16 E	30.0	1.5/21.8	200
N 036 ST.16 E	30.0	1.5/21.8	200

¹⁾ Liter at STP

N 036 _T.16 E



N 036 _T.16 E



N 036 ST.11 E

PERFORMANCE DATA

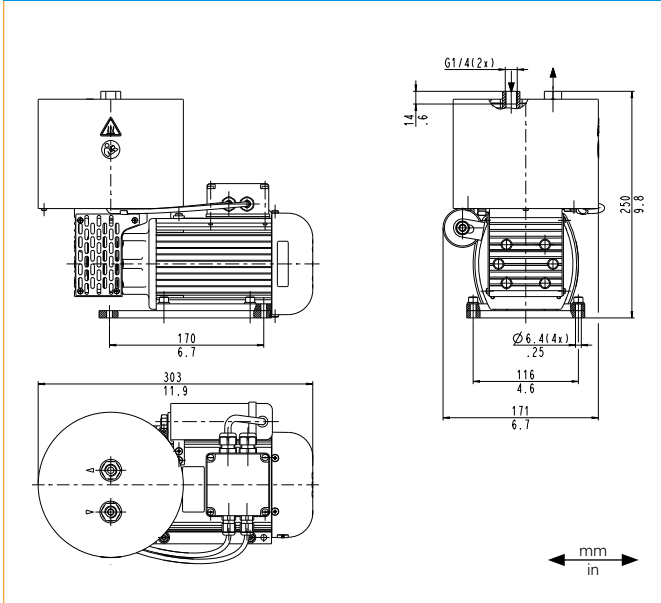
Series model	Flow rate at atm. pressure (l/min) ¹⁾	Max. operating pressure (bar rel./psig)	Ultimate vacuum (mbar abs.)
N 036 ST.11 E	30.0	1.5/21.8	200

¹⁾ Liter at STP

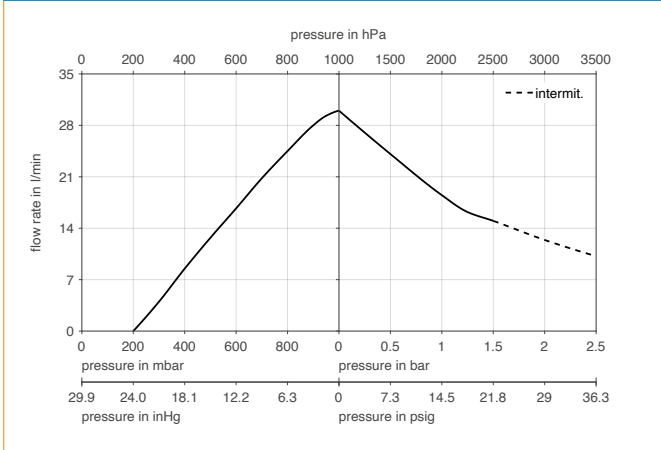
HEATING: N 036 ST.11 E

Protection class	IP 20
Voltage/Frequencies (V/Hz)	230/50
Power P ₁ (W)	400
I _{max} (A)	1.90
Heating temperature (°C)	240


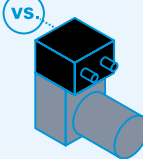




N 036 ST.11 E




N 036 ST.11 E



OPTIONS

Description	Illustration	Details
Rotated pump housing		The pump housing may be rotated by 180° at the factory. Any condensate will drain from the pump head, which improves the function of the pump when operating with high condensate concentrations.
Customized head connectors		The height of the remote pump head can be adapted to the customer's system according to the project. NPT1/8 fittings and various other fittings are optional.
Flanged version		This configuration has been designed for installation on a heated analyzer cabinet. The pump is mounted by a flange on the outside of the cabinet housing. The pump head then protrudes into the hot area. The area between the pump head and the compressor housing can be insulated.
Adjustable motor		The pump can be equipped with a 3-phase motor for frequency converter operation, allowing for the dynamic adjustment of pumping capacity to the customer's system.
Heated variant (.17)		The pump head is pre-heated to ca. 240 °C using a heating cartridge and a thermostat.
Ex-proof pumps		Pumps for explosion-proof areas are available with the following certificates on request: IECEx, NEC Ex, KOSHA, PESO, NEPSI, JIS.

ACCESSORIES

Description	Illustration	Part No.
Wrench for retainer plate		018812

SPARE PARTS

Description	Part No.
Valve plate	054112
Diaphragm	054111
O-ring	055676
Disk spring	056021

The performance values for the series models shown on this data sheet were determined under test conditions. The actual performance values may differ and depend in particular on the usage conditions and therefore on the specific application, on the parameters of the components involved in the user's system and on any technical modifications carried out which deviate from the standard configuration or the as delivered condition.

If individual designs have been created for specific customers on the basis of series models, other technical performance data may apply. Before operation begins, the relevant operating instructions and/or assembly or installation instructions should be read and the safety information contained in these instructions should be noted. KNF reserves the right to make changes to the product and the associated documentation without prior notice to the customer.



www.knf.com