

N 035.2 SERIES COMPRESSORS



N 035.2 ANE with IP 20 motor

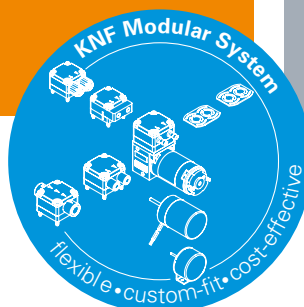
ADVANTAGES

- Versatile in pressure applications
- Durable even with difficult operating conditions
- High chemical resistance

POSSIBLE AREAS OF USE

- Process industry
- Chemical industry
- Analytical technology – overpressure filtration

Please visit our website
www.knf.com
to get more information



PERFORMANCE DATA

Series model	N 035.2					
Material design	ANE	AVE	ATE	SNE	SVE	STE
Pump head	Aluminum			Stainless steel		
Diaphragm	CR	FPM	PTFE-coated	CR	FPM	PTFE-coated
Valves	Stainless steel			CR	FPM	PTFE
Flow rate at atm. pressure (l/min)	55.0		49.0	55.0		49.0
Max. operating pressure (bar rel./psig)	4.0/58.0	2.0/29.0	4.0/58.0		2.0/29.0	4.0/58.0
Permissible ambient temperature (°C)	+5 ... +40					
Permissible media temperature (°C)	+5 ... +40					
Weight (kg/lbs)	10.9/24.0 (IP 20) – 11.2/24.7 (IP 44)			16.5/36.4 (IP 20) – 16.8/37.0 (IP 44)		

ELECTRICAL DATA

Voltage (V)	230	
Motor	Capacitor motor	
Protection class motor	IP 20	IP 44
Frequency (Hz)	50	
Power P ₁ (W)	320	360
I _{max} (A)	1.80	2.10

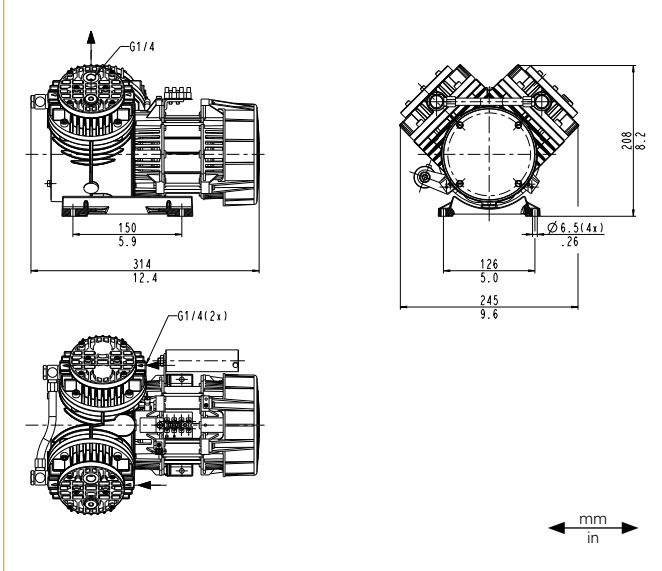
N 035.2 ANE | AVE | ATE | SNE | SVE | STE | IP 20 MOTOR

PERFORMANCE DATA

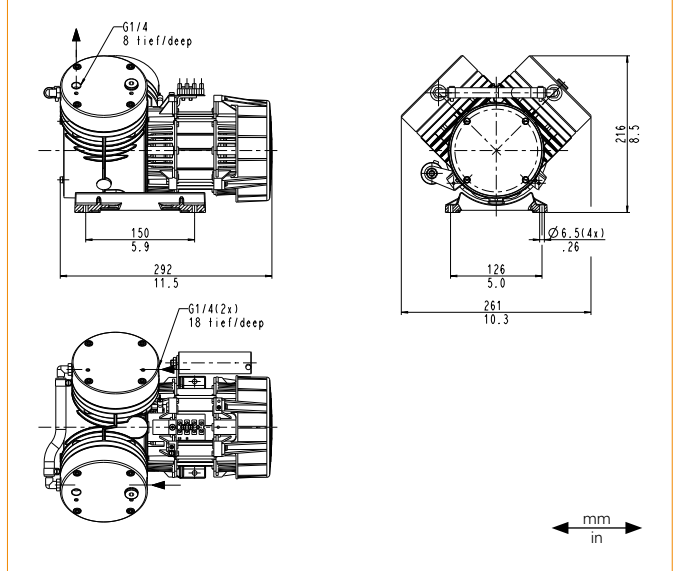
Series model	Flow rate at atm. pressure (l/min) ¹⁾	Max. operating pressure (bar rel./psig)	Ultimate vacuum (mbar abs.)
N 035.2 ANE	55.0	4.0/58.0	-
N 035.2 AVE	55.0	2.0/29.0	-
N 035.2 ATE	49.0	4.0/58.0	-
N 035.2 SNE	55.0	4.0/58.0	-
N 035.2 SVE	55.0	2.0/29.0	-
N 035.2 STE	49.0	4.0/58.0	-

¹⁾ Liter at STP

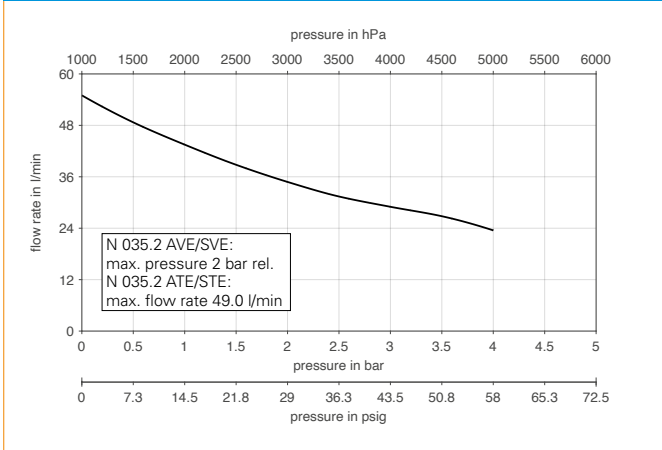
N 035.2 A _E (WITH IP 20 MOTOR)



N 035.2 S _E (WITH IP 20 MOTOR)



N 035.2 _E (WITH IP 20 MOTOR)



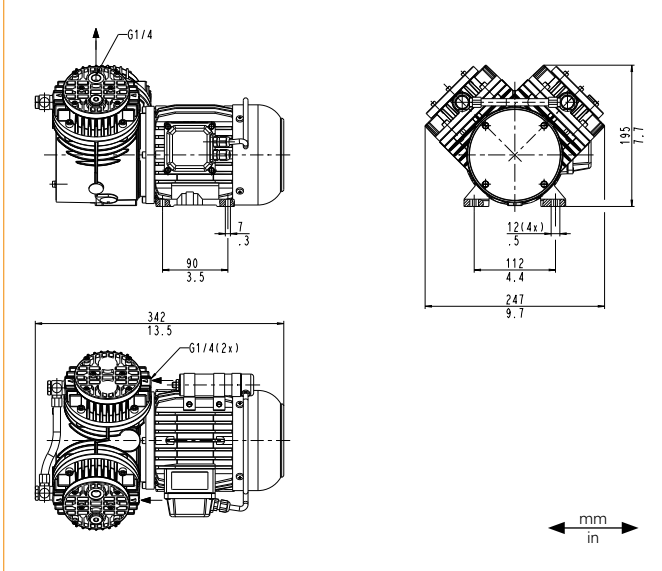
N 035.2 ANE | AVE | ATE | SNE | SVE | STE | IP 44 MOTOR

PERFORMANCE DATA

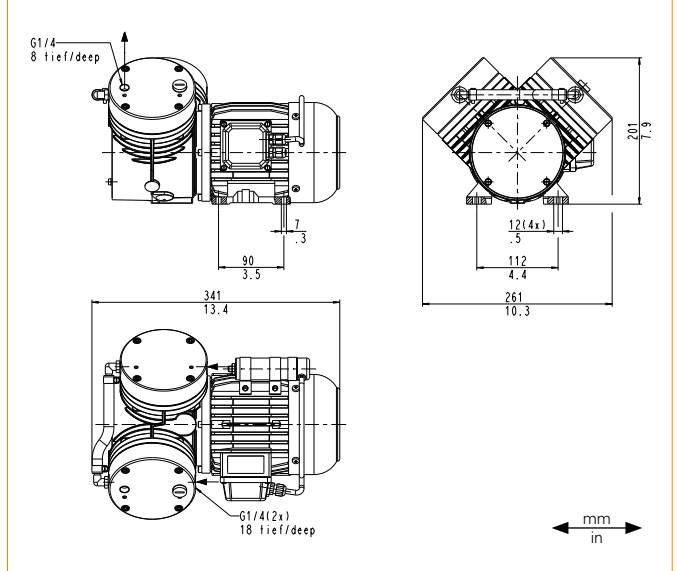
Series model	Flow rate at atm. pressure (l/min) ¹⁾	Max. operating pressure (bar rel./psig)	Ultimate vacuum (mbar abs.)
N 035.2 ANE	55.0	4.0/58.0	-
N 035.2 AVE	55.0	2.0/29.0	-
N 035.2 ATE	49.0	4.0/58.0	-
N 035.2 SNE	55.0	4.0/58.0	-
N 035.2 SVE	55.0	2.0/29.0	-
N 035.2 STE	49.0	4.0/58.0	-

¹⁾ Liter at STP

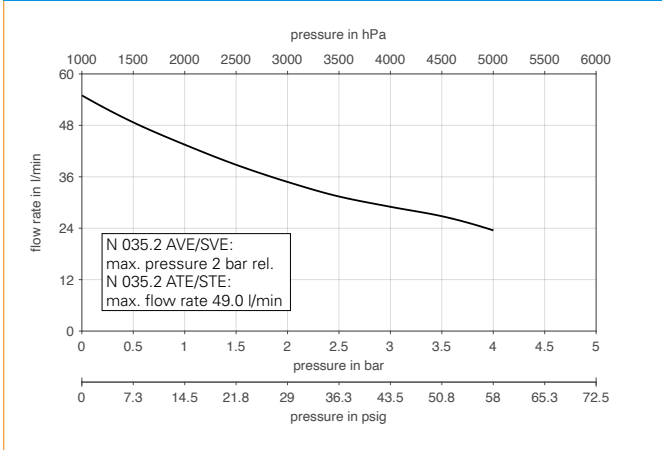
N 035.2 A _E (WITH IP 44 MOTOR)



N 035.2 S _E (WITH IP 44 MOTOR)



N 035.2 _E (WITH IP 44 MOTOR)



ACCESSORIES

Description	Illustration	Part No.	Details
Silencer/Inlet filter		000352	G 1/4
Fine control valve, pressure side		000482	with pressure gauge
Hose connector		000362	G 1/4, for hose ID 9
Hose connector, stainless steel		020234	G 1/4, for hose ID 9
Pressure relief valve		047601	4.0 bar

SPARE PARTS

Description	Part No.	Details
Spare parts kit N 035.0 ANE	118972	Spare parts kit consists of: 2x diaphragm, 4x valve plate, 2x sealing, 6x screws. This set is required to maintain the pump.
Spare parts kit N 035.0 AVE	118973	Spare parts kit consists of: 2x diaphragm, 4x valve plate, 2x sealing, 6x screws. This set is required to maintain the pump.
Spare parts kit N 035.0 ATE	118974	Spare parts kit consists of: 2x diaphragm, 4x valve plate, 2x sealing, 6x screws. This set is required to maintain the pump.
Spare parts kit N 035.0 SNE	121102	Spare parts kit consists of: 2x diaphragm, 2x valve plate. This set is required to maintain the pump.
Spare parts kit N 035.0 SVE	121104	Spare parts kit consists of: 2x diaphragm, 2x valve plate. This set is required to maintain the pump.
Spare parts kit N 035.0 STE	121103	Spare parts kit consists of: 2x diaphragm, 2x valve plate. This set is required to maintain the pump.

The performance values for the series models shown on this data sheet were determined under test conditions. The actual performance values may differ and depend in particular on the usage conditions and therefore on the specific application, on the parameters of the components involved in the user's system and on any technical modifications carried out which deviate from the standard configuration or the as delivered condition.

If individual designs have been created for specific customers on the basis of series models, other technical performance data may apply. Before operation begins, the relevant operating instructions and/or assembly or installation instructions should be read and the safety information contained in these instructions should be noted. KNF reserves the right to make changes to the product and the associated documentation without prior notice to the customer.



www.knf.com