

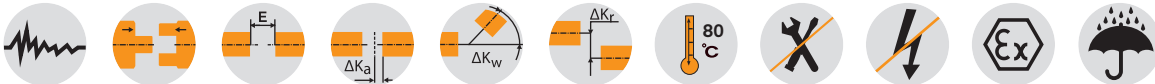
REVOLEX® KX-D

Flexible pin & bush coupling

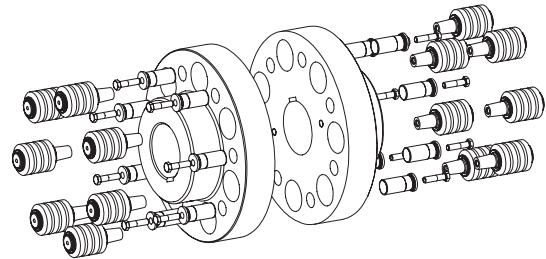
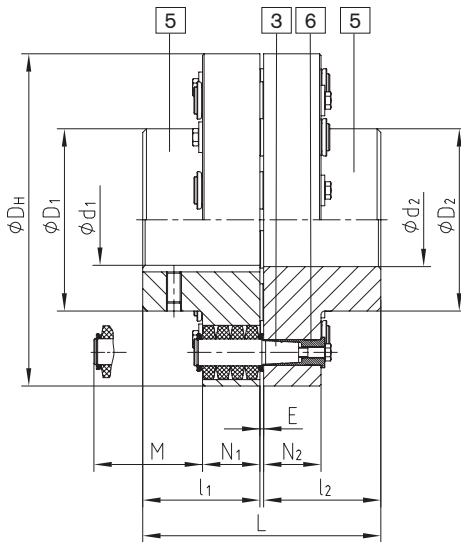
Material cast



For legend of pictogram refer to flapper on the cover



Components



Components of type KX-D:
 5 = Hub part 5
 3 = Pins complete
 6 = KX-D sleeve (hardened and corrosion-protected)

REVOLEX® Type KX-D													
Size	Torque ¹⁾ [Nm]		Max. speed ²⁾ [rpm]	Finish bore (min. - max.) d ₁ , d ₂	Dimensions [mm]							Mass moment of inertia ³⁾ [kgm ²]	Weight ³⁾ [kg]
	T _{KN}	T _{K max}			L	l ₁ , l ₂	E	D _H	D ₁ , D ₂	N ₁ , N ₂	M*		
KX-D 105	9400	18800	2000	38-110	237	117	3	330	180	56	76	0.907	68
KX-D 120	15200	30400	1800	45-125	270	132	6	370	206	76	100	1.867	108
KX-D 135	20000	40000	1600	75-140	300	147	6	419	230	76	100	3.144	145
KX-D 150	25000	50000	1450	85-160	336	165	6	457	256	76	100	4.573	180
KX-D 170	41000	82000	1250	95-180	382	188	6	533	292	92	130	10.259	291
KX-D 190	54000	108000	1100	110-205	428	211	6	597	330	92	130	16.601	385
KX-D 215	67500	135000	1000	125-230	480	237	6	660	368	92	130	25.495	498
KX-D 240	98000	196000	900	140-250	534	264	6	737	407	122	170	50.147	760
KX-D 265	134000	268000	800	160-285	590	292	6	826	457	122	170	80.796	997
KX-D 280	170000	340000	720	180-315	628	311	6	927	508	122	170	129.979	1301
KX-D 305	205000	410000	675	180-330	654	324	6	991	533	122	170	170.016	1509
KX-D 330	265000	530000	625	200-355	666	330	6	1067	572	122	170	227.451	1755
KX-D 355	350000	700000	575	225-380	721	356	9	1156	610	164	220	415.259	2263
KX-D 370	430000	860000	535	225-450	773	382	9	1250	720	164	220	586.686	2701

* Drop-out center design dimension required

¹⁾ Standard material Perbunan [NBR] 80 Shore A, for selection see page 18 et seqq.

²⁾ Higher speeds on request.

³⁾ Referring to max. bore

Finish bore according to ISO fit H7, feather keyway according to DIN 6885, sheet 1 [JS9].

If requested, coupling is dynamically balanced (semi-key balancing G 6.3 with speed as specified by the customer). For circumferential speeds exceeding v = 30 m/s dyn. balancing is recommended.

■ = Pilot bored available from stock

Ordering example:	REVOLEX® KX-D 170	GJL	Ø120	Ø150
	Type and size of coupling	Material	Finish bore	Finish bore