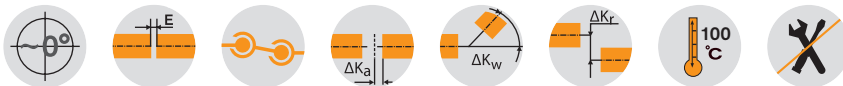
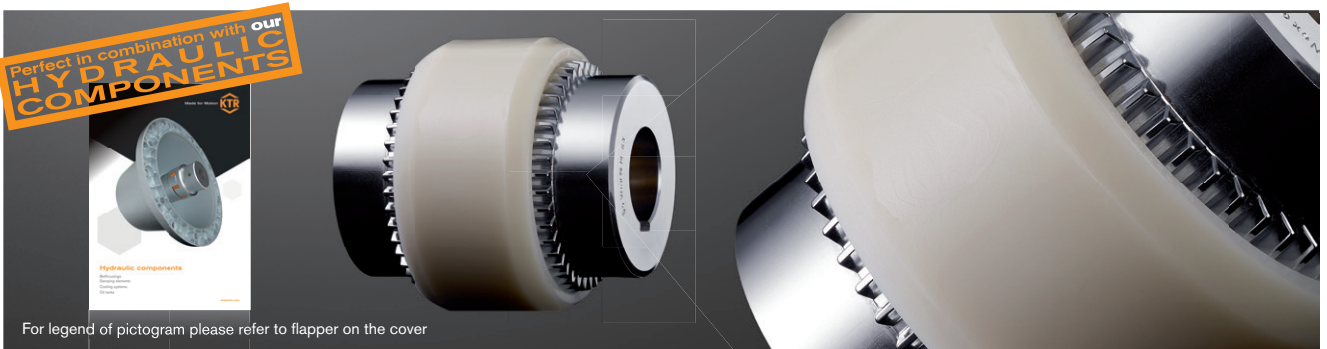
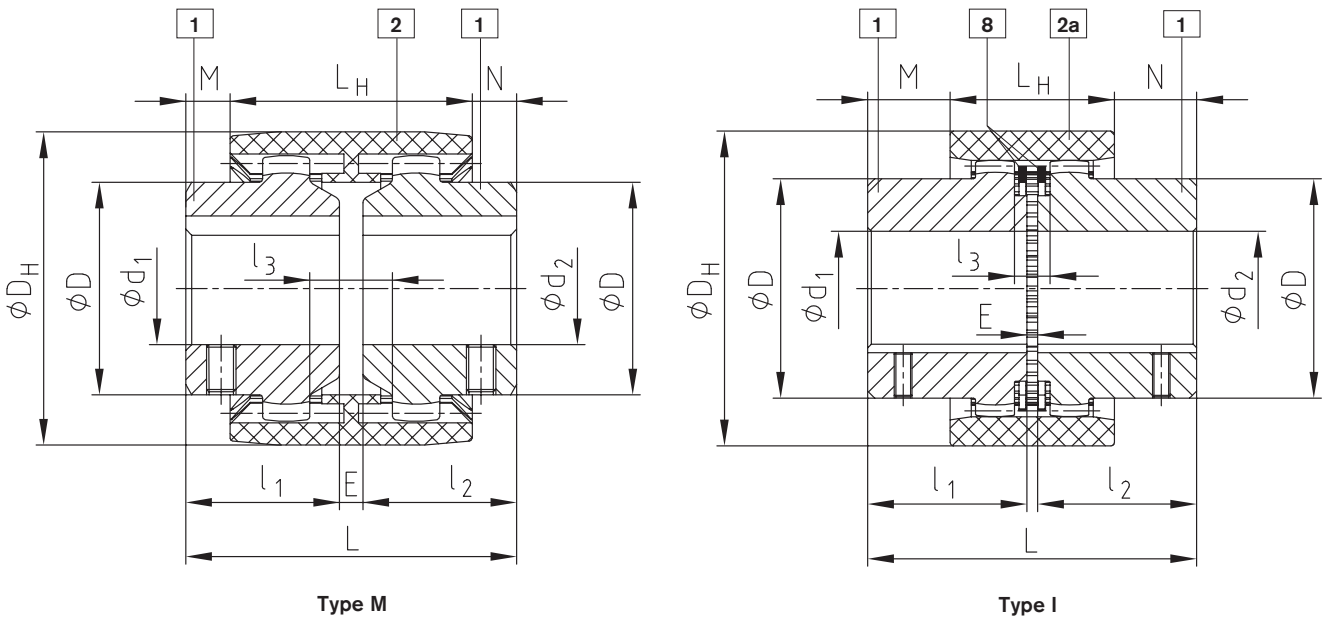


BoWex® M, I Curved-tooth gear coupling®

Compact and maintenance-free



Components



BoWex® type M, type I																								
Size	Torque [Nm]			Finish bore d1, d2		Dimensions [mm]													Weight with max. bore [kg]			Mass moment of inertia J with max. bore [kgcm ²]		
	T _{KN}	T _{K max.}	T _{KW}	Pilot bored	Max.	l ₁ , l ₂	E	L	L _H	M, N	l ₃	D	D _H	Tip circle ØD _Z hub	Number of teeth	Hub lengthened max. l ₁ , l ₂	Sleeve	Hub	Total	Sleeve	Hub	Total		
M-14	10	30	5	-	15	23	4	50	37	6.5	10	25	40	33	20	40	0.03	0.07	0.1	0.08	0.09	0.26		
M-19	16	48	8	-	20	25	4	54	37	8.5	10	32	47	39	24	40	0.03	0.1	0.23	0.15	0.16	0.47		
M-24	20	60	10	-	24	26	4	56	41	7.5	14	36	53	45	28	50	0.04	0.14	0.32	0.21	0.36	0.93		
M-28	45	135	23	-	28	40	4	84	46	19	13	44	65	54	34	55	0.08	0.33	0.74	0.65	1.22	3.09		
M-32	60	180	30	-	32	40	4	84	48	18	13	50	75	63	40	55	0.09	0.43	0.95	1.14	2.17	5.48		
M-38	80	240	40	-	38	40	4	84	48	18	13	58	83	69	44	60	0.13	0.55	1.23	1.58	3.55	8.68		
M-42	100	300	50	-	42	42	4	88	50	19	13	65	92	78	50	60	0.14	0.68	1.5	2.32	5.98	14.28		
M-48	140	420	70	-	48	50	4	104	50	27	13	68	95	78	50	60	0.23	0.79	1.81	3.9	7.22	18.34		
M-65	380	1140	190	21	65	55	4	114	68	23	16	96	132	110	42	70	0.55	1.9	4.35	21.2	31.8	84.8		
I-80	700	2100	350	31	90	90	6	186	93	46.5	20	124	178	145	46	-	1.13	5.2	11.53	68.9	150.8	370.5		
I-100	1200	3600	600	38	100	110	8	228	102	63	22	152	210	176	48	-	1.78	9.37	20.52	158.6	401.3	961.2		
I-125	2500	7500	1250	45	125	140	10	290	134	78	30	192	270	225	54	-	3.88	19.44	42.76	562.9	1362.3	3287.5		

Ordering example:	BoWex® M-28	d ₁ Ø20	d ₂ Ø28
	Size and type of coupling	Finish bore H7 keyway to DIN 6885 sheet 1 (JS9)	Finish bore H7 keyway to DIN 6885 sheet 1 (JS9)