

# Data Sheet for sensor accessories

Valve connector (with or without cable)

Series STV



Illustration similar

Valve connector according to DIN EN 175301-803 without cable (incl. sealing element) in IP65 and valve connector with cable 3 meters in IP67.

- 3 pol. + PE
- Angled
- IP65 without cable / IP67 with cable
- Not shielded

Electrical data	3 pole + PE	
	Without cable	With cable
Rated current (40 °C)	10 A	
Rated voltage	250 V	230 V
Rated impulse voltage	4000 V	
Volume resistivity	≤ 15 mΩ	
Insulation resistance	≥ 10 <sup>10</sup> Ω	
EMC compliance	not shielded	

General characteristics, materials	3 pole + PE	
	Without cable	With cable
Connector design	Size A female connector (panel mount)	Size A solenoid socket
Connector locking system	screw	
Termination	screw, clamp	moulded on cable
Wire gauge (mm)	min. 0.34 mm <sup>2</sup> , max. 1.5 mm <sup>2</sup>	0.75 mm <sup>2</sup>
Wire gauge (AWG)	-	18
Cable outlet	6 .. 8 mm	-
Operational temperature	-30 °C up to +120 °C	-25 °C up to +85 °C
Protection grade (IEC60529)	IP65 (sealing element is included)	IP67
Mechanical operation	> 50 mating cycles	
Contact material	CuSn (bronze)	
Contact plating	Ni (nickel)	Sn (tin)
Contact body material	PA (UL 94 HB)	PA
Housing material	PA	PBT
Sheath material	-	PUR
Cable diameter	-	6 mm
Single-lead structure	-	4 x 0.75 mm <sup>2</sup>

# Data Sheet for sensor accessories

Valve connector (with or without cable)

Series STV

## Order Code

Description	Selection: <b>standard=black/bold</b> , possible <i>options=grey/italic</i>				
Series:	<b>STV</b>				
Connector angled: Without cable With cable 3 meters		<b>E K3M</b>			
Contact arrangement: 3 pole + PE			<b>3POLPE</b>		
Degree of protection: IP65 without cable IP67 with cable				<b>IP65 IP67</b>	
EMC compliance: Not shielded					<b>NS</b>

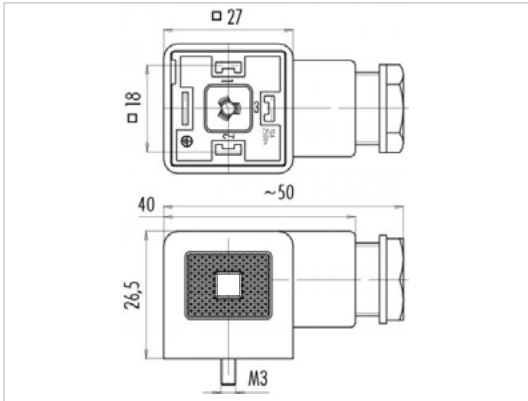
# Data Sheet for sensor accessories

Valve connector (with or without cable)

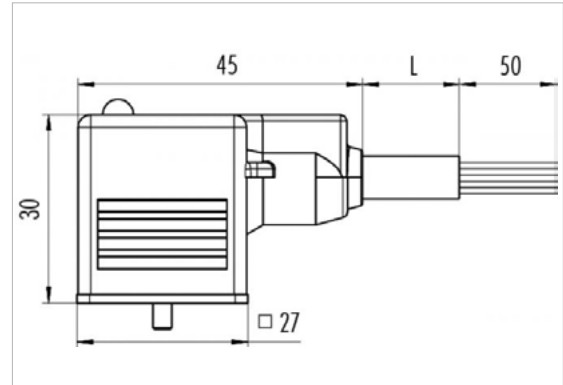
Series STV

## Drawing

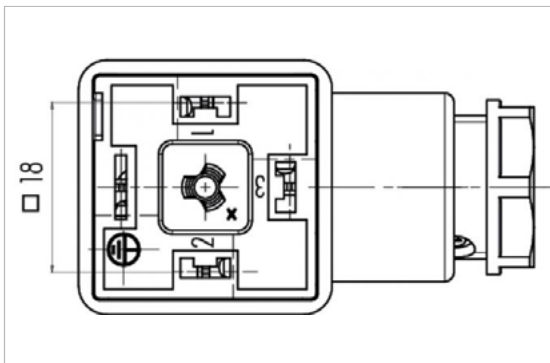
STV E 3POLPE IP65 NS



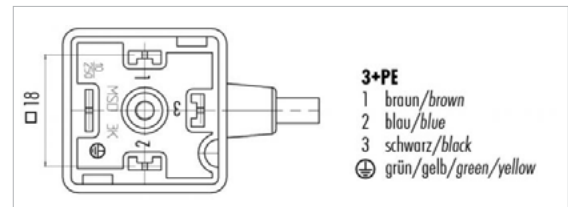
STV K3M 3POLPE IP67 NS



Contact arrangement 3 pole + PE without cable



Contact arrangement 3 pole + PE with cable



Sealing element for connector without cable

