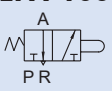

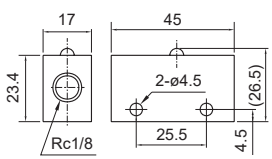
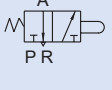

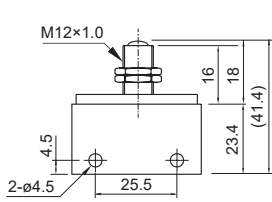
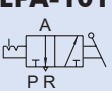

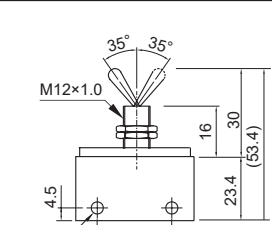
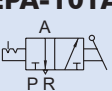

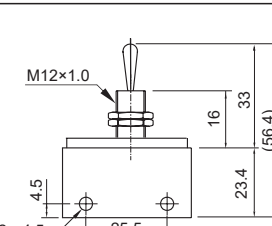
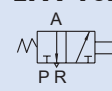

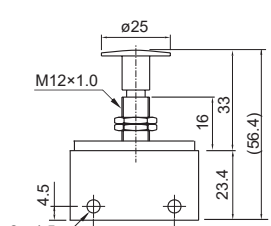


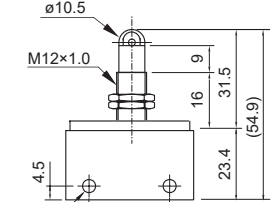
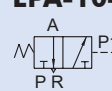

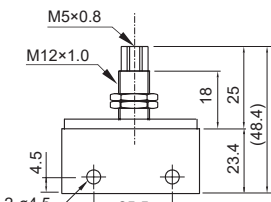
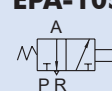

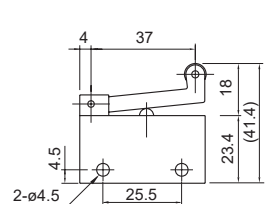


Specification

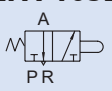

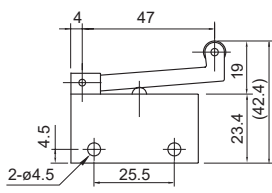
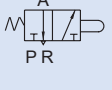

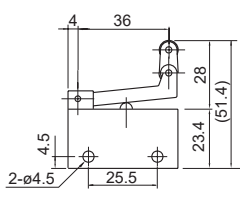
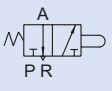

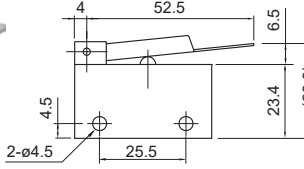
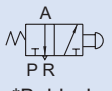

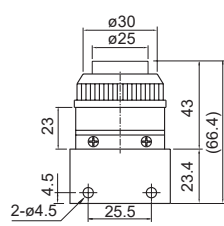
Model	No. of port	Port size	Medium	Operating pressure range	Ambient temperature	Weight
EPA-100	3	Rc1/8	Air	0~0.9 MPa	-5~+60°C (No freezing)	43 g
EPA-100A	3	Rc1/8	Air	0~0.9 MPa	-5~+60°C (No freezing)	68 g
EPA-101	3	Rc1/8	Air	0~0.9 MPa	-5~+60°C (No freezing)	70 g
EPA-101A	3	Rc1/8	Air	0~0.9 MPa	-5~+60°C (No freezing)	68 g
EPA-102	3	Rc1/8	Air	0~0.9 MPa	-5~+60°C (No freezing)	104 g
EPA-103	3	Rc1/8	Air	0~0.9 MPa	-5~+60°C (No freezing)	67 g
EPA-104	3	Rc1/8	Air	0~0.9 MPa	-5~+60°C (No freezing)	71 g
EPA-105	3	Rc1/8	Air	0~0.9 MPa	-5~+60°C (No freezing)	68 g

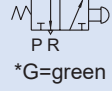

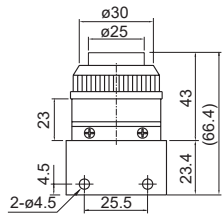
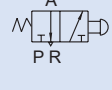

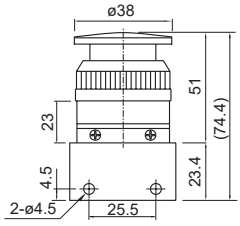
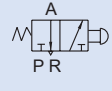

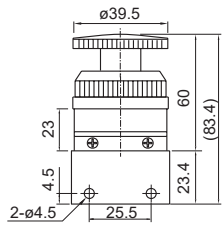
Model	Fig	Dimensions
Pin plunger EPA-100 	 	
Ball actuator EPA-100A 	 	
Retained toggle EPA-101 	 	
Toggle EPA-101A 	 	

Model	Fig	Dimensions
Palm button EPA-102 	 	
Roller plunger EPA-103 	 	
Pilot EPA-104 	 	
Roller lever EPA-105 	 	

Specification

Model	No. of port	Port size	Medium	Operating pressure range	Ambient temperature	Weight
EPA-105L	3	Rc1/8	Air	0~0.9 MPa	-5~+60°C (No freezing)	104 g
EPA-106	3	Rc1/8	Air	0~0.9 MPa	-5~+60°C (No freezing)	61 g
EPA-107	3	Rc1/8	Air	0~0.9 MPa	-5~+60°C (No freezing)	54 g
EPA-108B	3	Rc1/8	Air	0~0.9 MPa	-5~+60°C (No freezing)	100 g
EPA-108G	3	Rc1/8	Air	0~0.9 MPa	-5~+60°C (No freezing)	100 g
EPA-108RA	3	Rc1/8	Air	0~0.9 MPa	-5~+60°C (No freezing)	100 g
EPA-108RA RESET	3	Rc1/8	Air	0~0.9 MPa	-5~+60°C (No freezing)	100 g
EPA-109	3	Rc1/8	Air	0~0.9 MPa	-5~+60°C (No freezing)	108 g

Model	Fig	Dimensions
Roller lever EPA-105L 		
One way lever EPA-106 		
Plain lever EPA-107 		
Push button EPA-108B* 		

Model	Fig	Dimensions
Push button EPA-108G* 		
Palm actuator EPA-108RA 		
Palm latching actuator EPA-108RA RESET 		
Selector EPA-109 