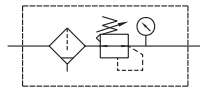


# MAFR100 series

AIR UNIT (F.R.UNIT)



## Symbol



## Specification

Model	MAFR100
Port size	M5×0.8
Medium	Air
Operating pressure range (*)	0.05~1 MPa
Proof pressure	1.5 MPa
Regulated pressure range	0.05~0.7 MPa
Ambient temperature	- 5~+60°C (No freezing)
Filter element	Standard: 5µm, Option: 40µm
Drain capacity	3.5 cm <sup>3</sup>
Attachment	Pressure gauge (PG-25), bracket
Weight	130 g

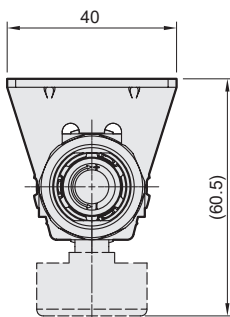
\*Standard unit contains semi-auto-drain function when operating pressure below 0.05 MPa.

## Order example

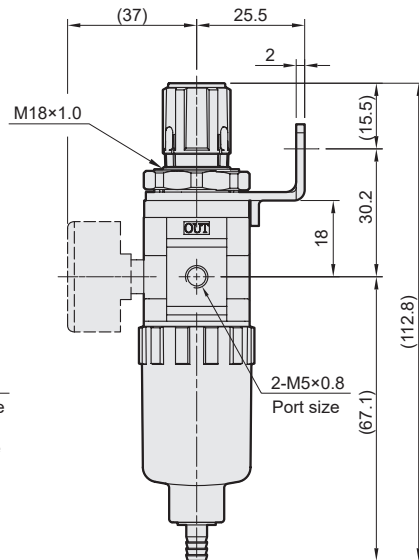
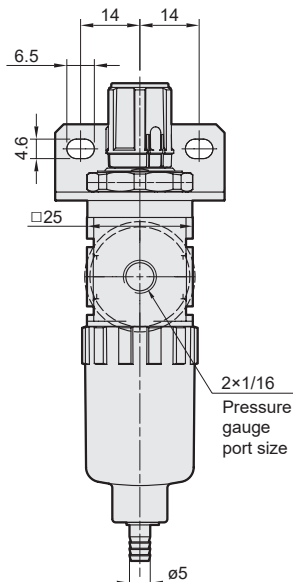
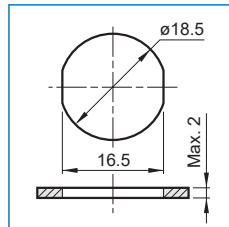
MAFR100 — M5 — □ — □

MODEL      PORT SIZE      FLOW DIRECTION      FILTER ELEMENT

Blank: Left to right      Blank: 5µm  
R: Right to left      40u: 40µm



## Panel mounting hole



## Flow feature

