

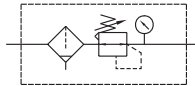
# MAFR501 series

AIR UNIT (F.R.UNIT)



Option: MP41

### Symbol



### Specification

Model	MAFR501	
Bore No.	20A	25A
Port size	3/4	1
Medium	Air	
Operating perssure range (*)	Nylon bowl, PC bowl: 0.05~1 MPa	
	Metal bowl: 0.05~1.5 MPa	
Proof pressure	Nylon bowl, PC bowl: 1.5 MPa	
	Metal bowl: 2 MPa	
Regulated pressure range	0.1~0.85 MPa	
Ambient temperature	- 5~+60°C (No freezing)	
Filter element	40µm	
Drain capacity	PC, Nylon bowl: 75 cm <sup>3</sup>	
	Metal bowl: 70 cm <sup>3</sup>	
Attachment	Pressure gauge(PG-20), L-type bracket	
Weight	PC, Nylon bowl: 1940 g	
	Metal bowl: 2060 g	

\* Standard unit contains semi-auto-drain function when operating pressure below 0.05 MPa.

\* Choose auto-drain FMRF300, the pressure range is 0.15~1 MPa.

### Order example

MAFR501 – 20A – MC□J□ – E1 – □

MODEL

PORT SIZE

20A: 3/4  
25A: 1

(Option)

PRESSURE SWITCH

E1: MP41P-022  
E2: MP41P-022-QD  
E5: MP41P-042  
E6: MP41P-042-QD

PORT THREAD

Blank: Rc thread  
G: G thread  
NPT: NPT thread

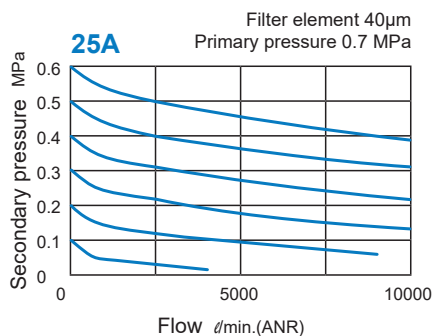
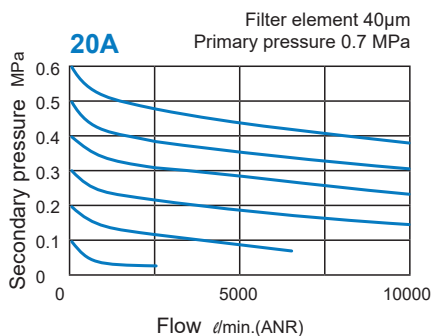
(Option)

\* Refer to page 5-13 for MP41.

Bowl	Pressure gauge	Drain valve	Panel nuts	Flow direction
Blank: PC bowl M: Metal bowl N: Nylon bowl	Blank: Pressure gauge (PG-20) C: External pressure gauge (PG-40) + Gauge adapter set (A-MAR302) A: Gauge adapter set (A-MAR302)	Blank: Semi-auto drain D: Auto drain valve (FMRF300)	J: Panel nuts	Blank: Left to right R: Right to left

\* PG-40 (C), A-MAR302 (A) and MP41 (E\*) can not be selected at the same time.

### Flow feature

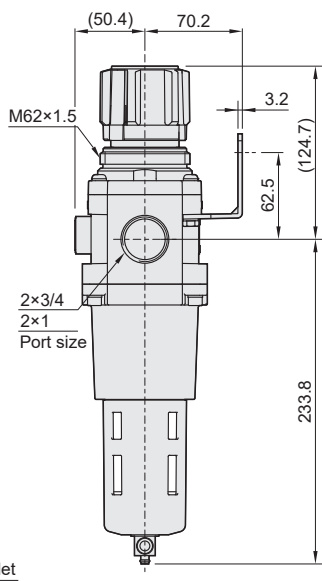
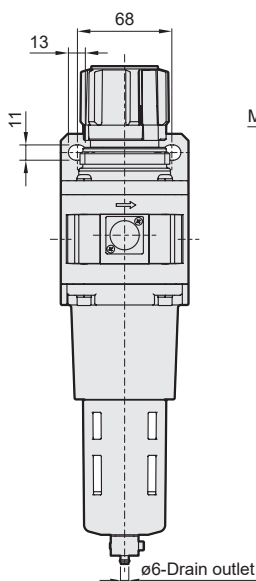
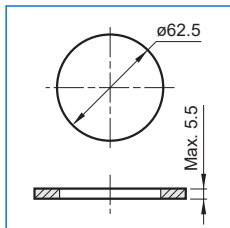
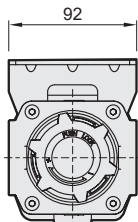


# MAFR501 Dimensions

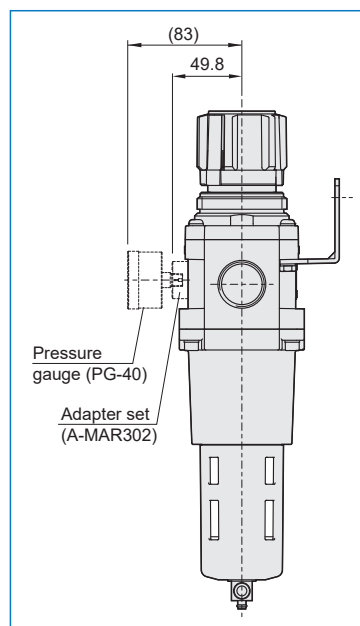
AIR UNIT (F.R.UNIT)



## Panel mounting hole

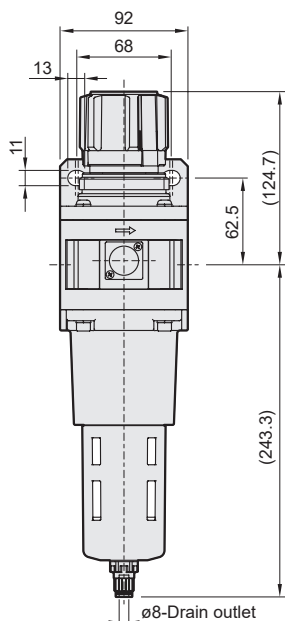


## Accessories



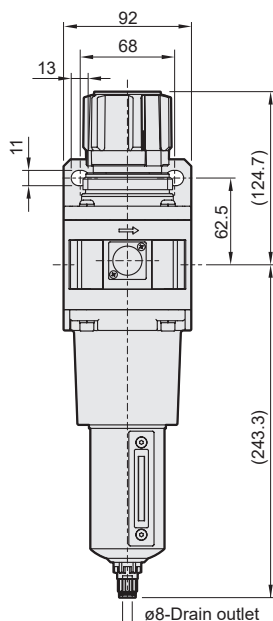
### MAFR501-D

Auto drain valve



### MAFR501-MD

Metal bowl + auto drain valve



### MAFR501-M

Metal bowl

