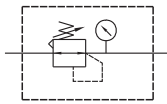


MAR901 series Pilot operated

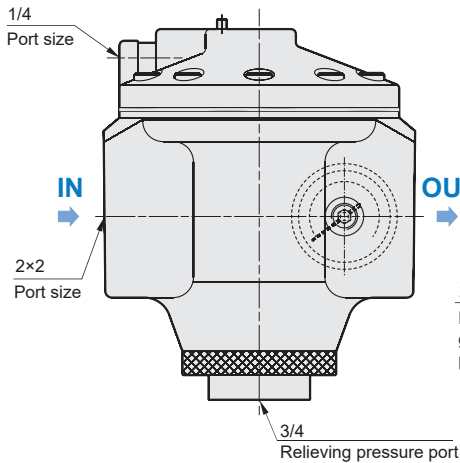
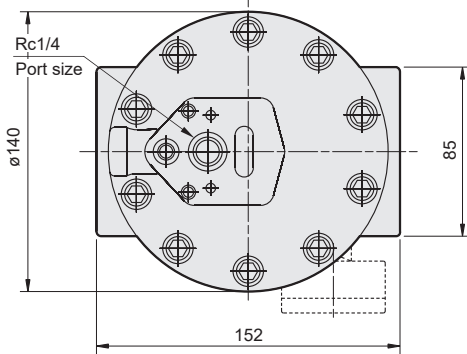
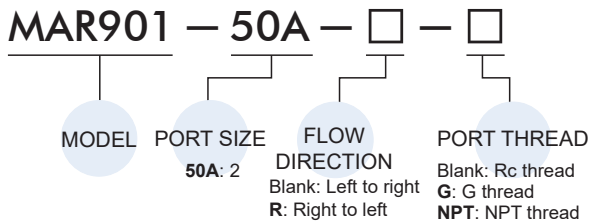
PRESSURE REGULATOR



Symbol



Order example



- It allows main regulator to be installed at any point in compressed air system.
- Accurate pressure regulation in a wide range of flow.

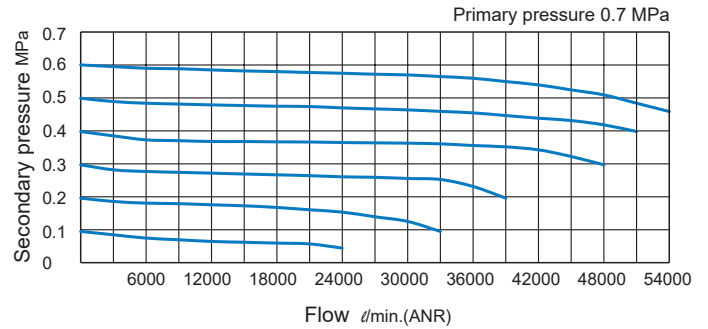
Specification

Model	MAR901
Bore No.	50A
Port size	2
Medium	Air
Max. operating pressure	3.1 MPa
Min. pilot pressure (*2)	0.15 MPa
Regulated pressure range	Up to 1.75 MPa (with the help of a pilot regulator)
Ambient temperature	0~+80°C (No freezing)
Standard nominal flow rate (*1)	59000 ℓ/min
Attachment	Pressure gauge (PG-50)
Weight	3055 g

*1. Primary pressure 1 MPa. Secondary pressure 0.6 MPa and $\Delta P = 0.1$ MPa.

*2. Minimum secondary pressure of pilot regulator.

Flow feature



Flow ℓ/min.(ANR)

Pilot operation

