

MAR300LK series

HAND-HELD REGULATOR



Symbol

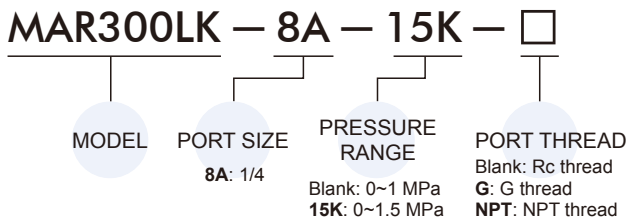


Hand-held regulator could be directly assembled with pneumatic tools. According to the user's applications, you can regulate the pressure of pneumatic tool.

Feature

- Design: No convex shaft, small size and high transportability. Anodized aluminum body to achieve lightweight. (80g around)
- The outlet pressure can be observed through the scale of adjustment knob to determine. The lock mechanism can prevent rotation by accidentally.
- The unique structure of adjustment knob enables the pressure regulation to be completed within one turning round.
- Outlet pressure can be directly exhausted by turning back the adjustment knob.

Order example

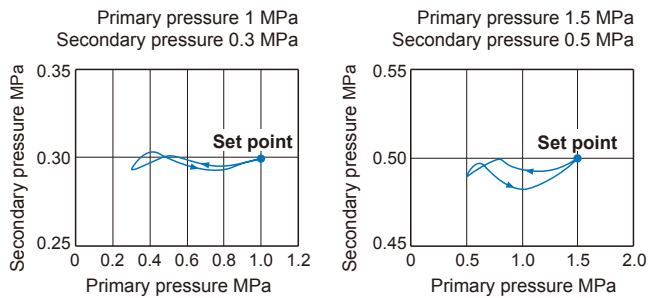


Specification

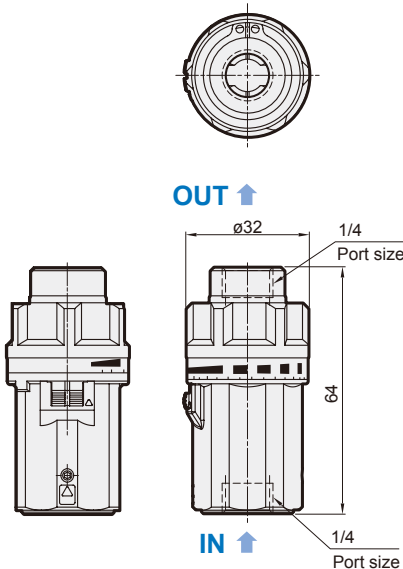
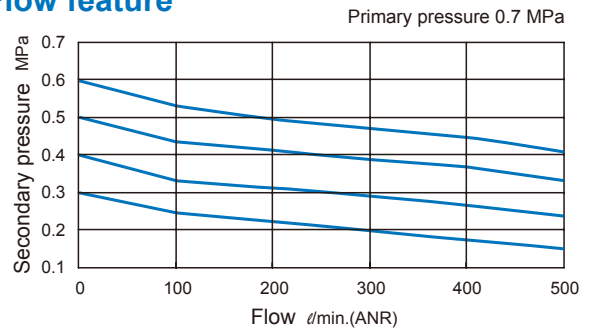
Model	MAR300LK
Bore No.	8A
Port size	1/4
Medium	Air
Max. operating pressure	1 MPa, 15K: 1.5 MPa
Proof pressure	3.75 MPa
Set pressure range	0.3~0.9 MPa
Ambient temperature	0~+60°C (No freezing)
Weight	80 g

Pressure feature

* The variation in the secondary pressure, with reference to the change in the primary pressure.



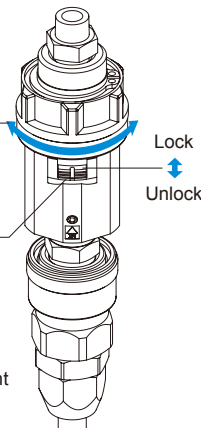
Flow feature



Pressure regulation

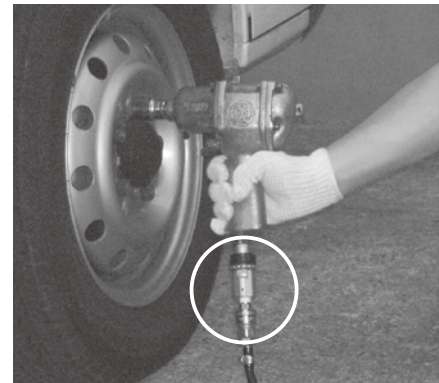
Turn the adjustment knob to regulate the pressure

Please lock the knob after regulating the pressure



Under 1.0 MPa
General Industrial plant

Under 1.5 MPa
Automobile maintenance plant



- The pressure regulation during painting.
- The pressure regulation for nail gun.
- Torque management for operating air.