

Specification

- IP65 100% ED coil
- PTB approval EExm II T4 coil

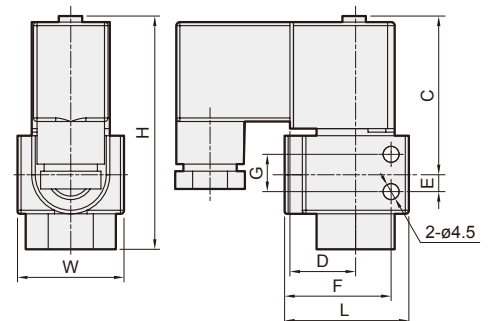
Dimensions

Model	MBD			
Code Dimension (mm)	6	9	10	15
L	36		46	
H	31		37	
W	69		91	
C	49		67	
D	21		28	
E	8.5		7	
F	30		41	
G	11			
N.W. (kg)	Coil 2	0.26	0.25	—
	Coil 3	0.30	0.29	—
	Coil 2E	0.66	0.65	—
	Coil 4	—	0.50	0.49
	Coil 5	—	0.59	0.58
Coil 3E	—	0.84	0.83	

Order example

MBD – 09 – 2 – V – 3 – D – AC110 – □

MODEL: MBD
 CODE: 09 (1/4)
 FIG.: 2 (1, 2, 3, 4, 5)
 SEAL MAT'L: V (NBR, Viton)
 COIL: 3 (2, 3, 2E, 4, 5, 3E)
 VOLTAGE: AC110V (50/60)Hz
 PLUG: D (Blank: DIN, 1/2" NPT, 2 wires)



* Explosion-Proof (2E/3E) coil with LED (D) plug is not applicable.

Specification

Model **MBD**: Forged brass body, for water, air, gas, light oil, vacuum.

Code (Port)	Fig. no.	Seal mat'l	Coil	Orifice mm	Temp. °C				Working press. bar						CV
					Coil 2, 2E		Coil 3		Coil 2		Coil 3		Coil 2E		
					N	V	N	V	AC	DC	AC	DC	AC	DC	
06(1/4) 09(3/8)	1	N V	2 3 2E	2.0	-10 ~ 90	-10 ~ 90	-10 ~ 145	13	5	20	10	14	8	0.14	
	2			7				2.5	11	6	7	4			
	3			5				2	9	4	5	3			
	4			2				0.5	4	2	3	1			

Code (Port)	Fig. no.	Seal mat'l	Coil	Orifice mm	Temp. °C		Working press. bar						CV
					N	V	Coil 4		Coil 5		Coil 3E		
							AC	DC	AC	DC	AC	DC	
10(3/8) 15(1/2)	1	N V	4 5 3E	3.5	-10 ~ 90	-10 ~ 160	20	16	25	20	16	16	0.45
	2			16			13	20	16	10	13		
	3			13			10	16	13	8	10		
	4			8			5	12	10	4	5		
	5			4.5			1.5	7	3	1.5	1.5		

* Connect air source to outlet port for vacuum application.

Power consumption

Coil power	2	3	2E
AC 50/60Hz (VA)	6.9	8.0	5.7
DC (W)	6.0	6.8	5.2

Coil power	4	5	3E
AC 50/60Hz (VA)	19.5	23.0	9.2
DC (W)	15.0	18.5	10.0