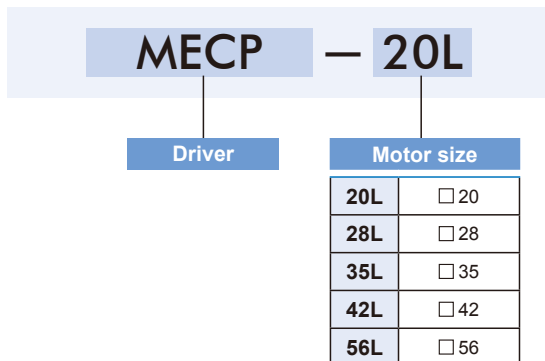




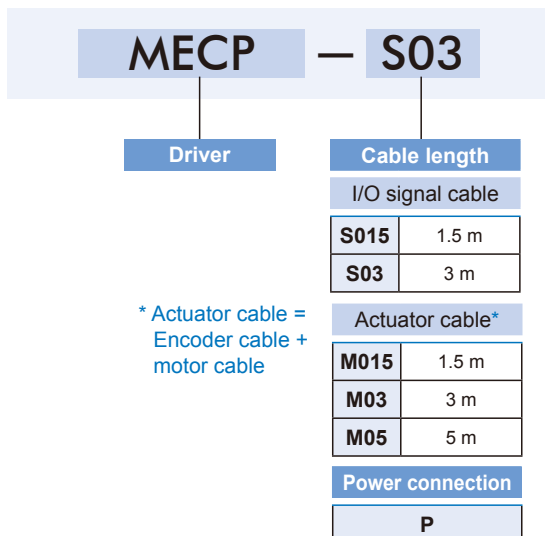
Specification

Model	MECP	
Input voltage	DC 24V ±10%	
Dimension (mm)	W115.5 × H66 × D25.3	
Motor size	□20 / □28 / □35 / □42 / □56	
Encoder	Incremental A/B/Z (4000PPR)	
Operation mode	Pulse control	
Functions	Resolution (P/R)	500~50000(Selectable by DIP switch) * Default: 4000
	LED display	Power status, In-position status, Enable status, Alarm status
	Max frequency	500KHz (Duty 50%)
I/O Singal	Input singal	Position command pulse, Enable, Alarm reset (Photocoupler input)
	Output singal	In-position, Alarm (Photocoupler output), Brake

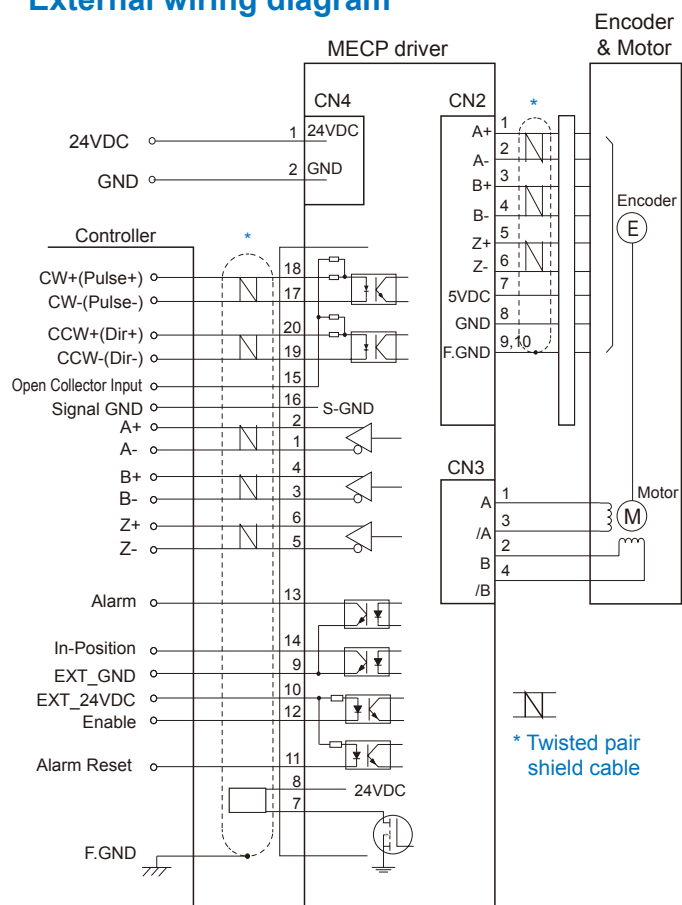
Order example



Accessories

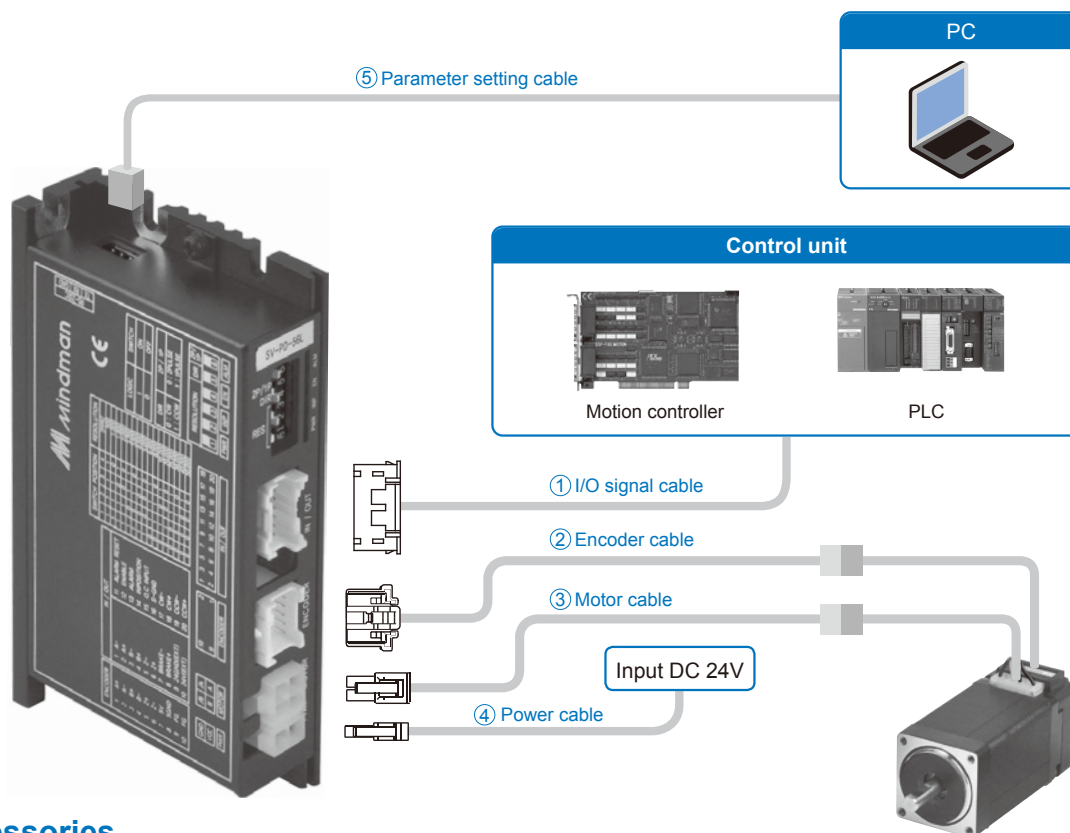


External wiring diagram

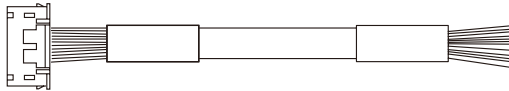
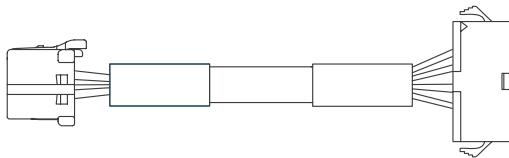
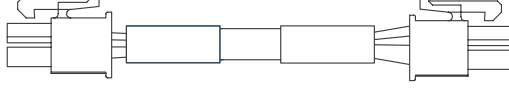
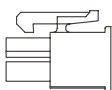
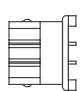


Caution

- Please refer to the manual when connects motor extension cable.
- Careful connection will be required to protect any damages.
- * When connects I/O cable between controller and drive, please turn off the power of both controller and drive, in order to protect the drive from any damage.



Accessories

No.	Purpose	Item		Note	Exterior	
①	I/O signal cable	Housing	PADP-20V-1-S	Isolation		
		Terminal	SPH-002T-P0.5L			
②	Encoder cable	Drive side	Housing	51353-1000	Isolation + Flexible	
			Terminal	56134-9000		
		Encoder side	Housing	SMP-09V-NC		
			Terminal	SHF-001T-0.8BS		
③	Motor cable	Drive side	Housing	5557-04R	Flexible	
			Terminal	5556T		
		Motor side	Housing	5557-04R		
			Terminal	5556T		
④	Power connection	Housing	5557-02R	Housing and terminal only		
		Terminal	5556T			
⑤	Parameter setting cable	Housing	5264-03	Housing and terminal only		
		Terminal	5263			