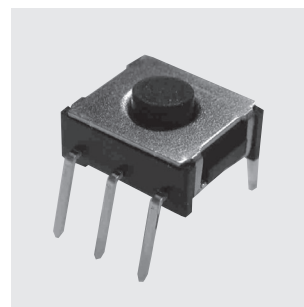


TME

Tactile Switches

Washable

RoHS Compliant



■ Features

1. Compatible With Lead-Free Soldering

Heat-resistance resin for lead-free soldering.

2. Washable

3. 2.54 mm Terminal Pins

4. Compatible with Automatic IC Insertion Machine

(Stick packaging, 50 pcs/stick)

5. 180° Symmetric Terminal Pin Layout.

6. Anti-Static Electricity

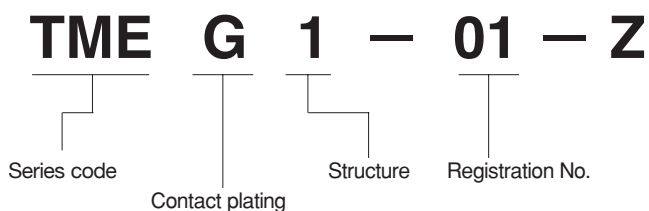
Ground terminal is provided to prevent damage to element caused by static electricity.

7. Metal contact for sharp tactile feel.

■ Specifications

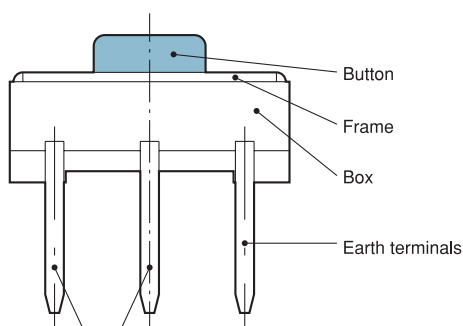
Contact plating		Silver plated	Gold plated
Rating	Max.	1VA max. (50mA max.48VDC max.)	
Initial contact resistance	100mΩ max. {1.5mA 200μVAC at 1.96N [200gf] force}		
Dielectric strength	250VAC 1 minute		
Insulation resistance	100MΩ min.	(100VDC)	
Electrical life	1,000,000 operations		
Stroke	0.5 ± 0.3mm		
Operating force	1.96 ± 0.98N		
Operating temperature range	-25~+70°C		
Storage temperature range	-40~+70°C		

■ Part Numbering



None	Silver plated
G	Gold plated

■ Structure



SPST

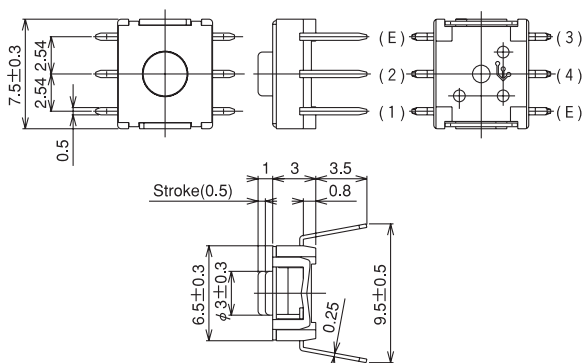


Table of Part Numbers

Contact plating	Part No.
Silver plated	TME1-01-Z
Gold plated	TMEG1-01-Z

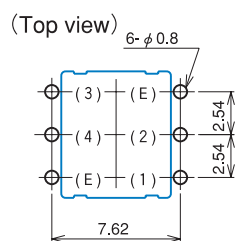
Soldering Specifications

- (1) Manual Soldering
 - Device : Soldering iron
 - 380°C ±10°C; 3±0.5 seconds
- (2) Auto Soldering
 - Device : Jet wave type or dip type
 - 275°C; 6 seconds, Max.
 - Preheating should be at 80°C to 120°C, max., within 120 seconds.
- (3) When soldering two or more terminals to the common land, use solder resist to solder them independently.

Part No.	Switching function		Circuit diagrams
TME1-01-Z TMEG1-01-Z	OFF	(ON)	
Connecting terminals			

(ON) : Momentary

PC Hole Layouts



• Terminal (E) to be connected to Ground. Terminal (E) is connected to the metal frame.



The blue line shows the outline of the switch.

Flux Cleaning See page 225.

Packaging Specifications

