

CF-PD

Nut type Pushbutton Switches

RoHS Compliant



Features

1. Solidly design

We added an assembly nut on LTM3-02.
It improves the strength of the panel.

2. Due to new design,

it improves the strength of push button product.

3. Connector-wiring

be able to one-touch fitting on the terminal parts,
without using PCB.

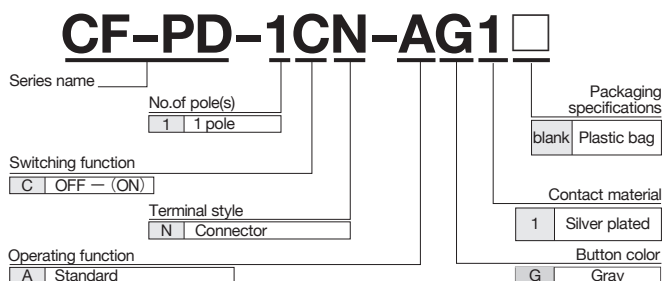
4. A light operating touch

We adopted dome shape contact.
It provides a sharp click feeling.

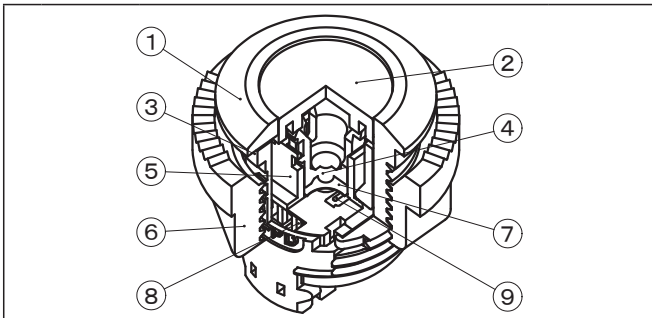
Specifications

Rating	Max.	1VA Max. (48VDC 50mA Max.)	(Resistive load)
Dielectric strength		250VAC	1 minute
Initial contact resistance	100mΩ Max.		(200μVAC 1.5mA)
Initial insulation resistance	100MΩ Min.		(100VDC)
Electrical life		300,000 operations	
Operating force		0.98~1.76N	
Operating temp. range		-25~+70°C	

Part Numbering



内部構造図/Internal Structure



Part name	Material	Flammability
① Frame	Acrylonitrie Butadiene Styrene	UL94 HB
② Button	Acrylonitrie Butadiene Styrene	UL94 HB
③ Cover plate	Acrylonitrie Butadiene Styrene	UL94 HB
④ Plunger	Polybutylene terephthalate	UL94 HB
⑤ Case	Polyamide	UL94 V-0
⑥ Nut	Acrylonitrile Butadiene Styrene	UL94 HB
⑦ Movable contact	Copper alloy, Silver-plated	-
⑧ Terminalpin	Copper alloy, Silver-plated	
⑨ Fixed contact	Copper alloy, Silver-plated	

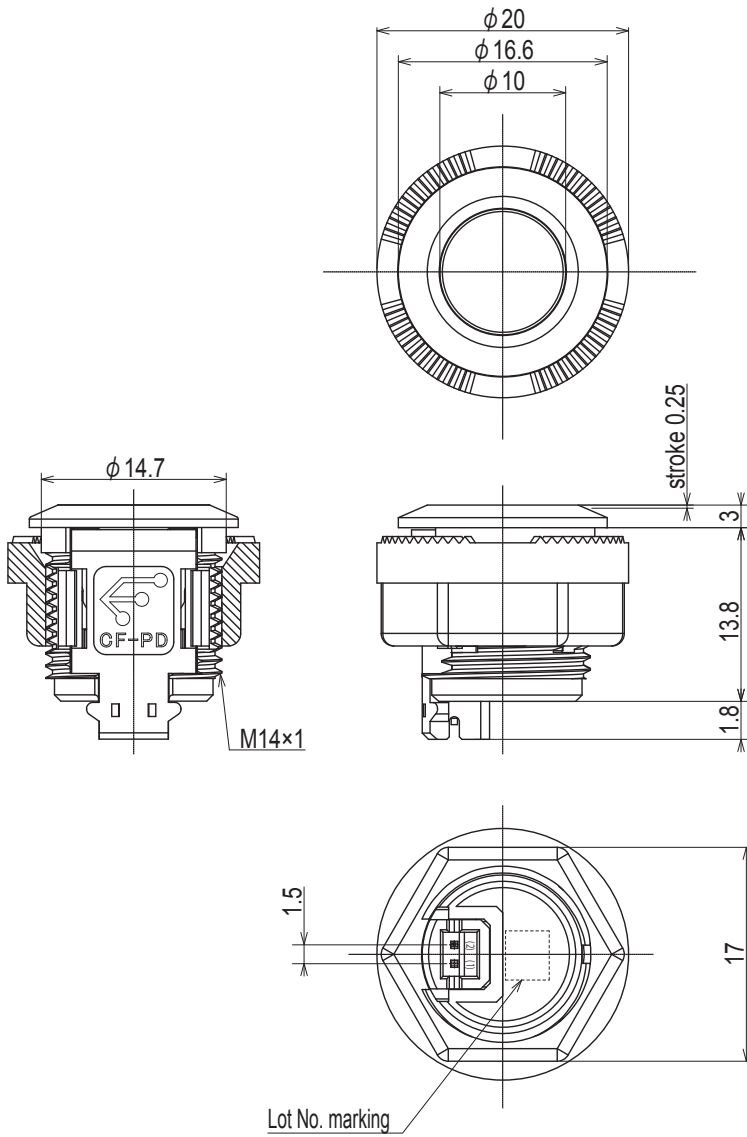
Switching Function

Part number	Switching function	Circuit diagrams
CF-PD-1CN-AG1	Free	
	Push	
	OFF (ON)	
	-	(1)-(2)

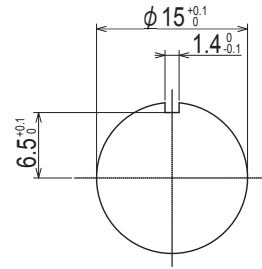
(ON): Momentary.

Outline Dimensions

Unless otherwise specified, tolerance: ± 0.3 (unit:mm)



Panel Cut-out Dimensions



Panel thickness: 1~3mm

Precautions

- ※ Nut tighten torque : under 0.29 (N·m)
- ※ Nut is an accessory.

Applicable Connector

ZHR-2 (Housing) by J.S.T. MFG CO.,LTD.