

# SLA215K

## High Current Power Rocker Switches



UL CSA ENEC

RoHS Compliant

### ■ Features

1. High capacity of 15 A is realized with a compact body.
2. The reinforced insulation structure realized by adoption of a resin frame ensures use without anxiety.
3. Easy snap-in panel mounting
4. The switch is structured so that the use of the soldering terminals and the TAB receptacle (#187) can be chosen.
5. Best suited for use with the power supply of high-capacity equipment.  
The RoHS compliance design realized cadmium- and lead-free products.
6. **UL**, **CSA** and **ENEC** approved products.  
\*No ENEC-approved product is available for the tab terminal type.

### ■ Specifications

Rating	Resistive load	15A 125VAC 15A 250VAC
	Inductive load	36A/15Ap.f.=0.6/0.9 250VAC
	Min.rating	100mA 5VAC/DC
Initial contact resistance		20mΩ max. (1A 2~4VDC)
Dielectric strength		1,500VAC 1 minute
Insulation resistance		100MΩ min. (500VDC)
Electrical life(cycles)		10,000 cycles
Operating force		2.94~12.74N
Operating temperature range		-25~+85°C
Storage temperature range		-40~+85°C

### ■ Part Numbering

**SLA 2 15 K - 5**

Series code Poles Current Switching function Rocker design

15	15A	K	OFF - ON
----	-----	---	----------

None	
5	
6	
7	

### ■ Table of Part Numbers

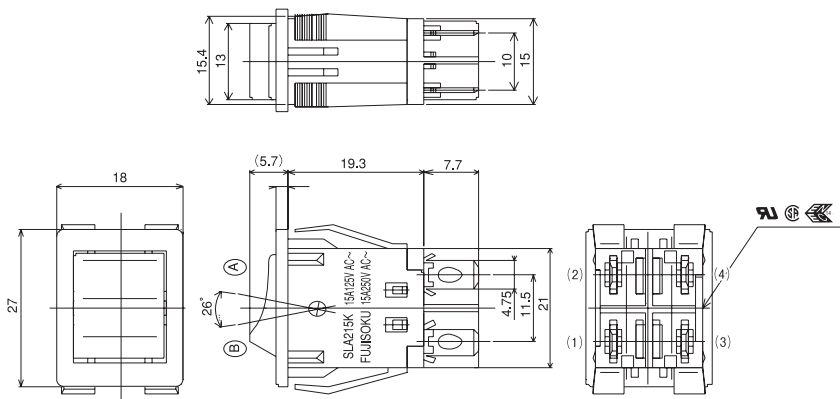
TYPE	★SLA215K	SLA215K-5	★SLA215K-6	☆SLA215K-7
MARKING COLOR (WHITE)				
	UNFIGURED			

### ■ approvals

UL File No.E43275  
CSA File No.LR38341  
ENEC Ref. No. SE/05105-03

# SLA215K

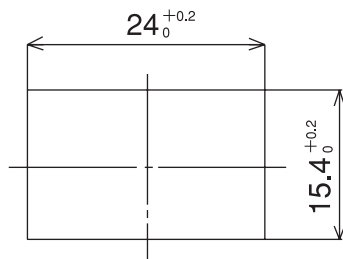
## Appearance style



CIRCUIT CHARACTERISTICS			
CIRCUIT ARRANGEMENT	DIAGRAM	TERMINALS	
WITH ROCKER TO SIDE OF A	WITH ROCKER TO SIDE OF B		4
OFF	ON		
—	(1) — (2) (3) — (4)		

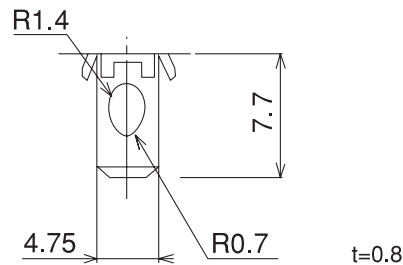
Terminal numbers are shown on the bottom of the switch.

## Panel Cut-Out Dimensions



PANEL THICKNESS : 1.0~3.5

## Terminal Style



Solder Terminal (It can be used for TAB #187)

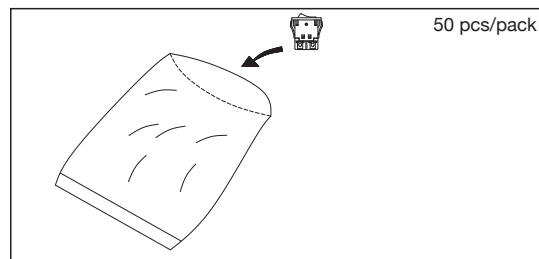
## Soldering Specifications

Manual Soldering

Device : Soldering iron

380°C, Max.; 3 seconds, Max.

## Packaging Specification



## Precautions for Panel Mounting

Applicable Series Products:

SLE6/10, SLE210K, SL10K, SLE10K and SLA215K

The edges on the back of the cut-out panel should be squared so that the switch box bites the panel firmly. When the panel is coated, pay attention that the coating will not retain around the edge. Do not reuse the switch that was once mounted on a panel.

