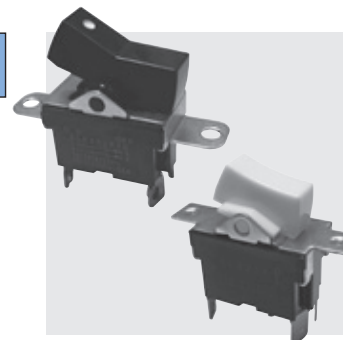


EL·ELE

Dust Proof



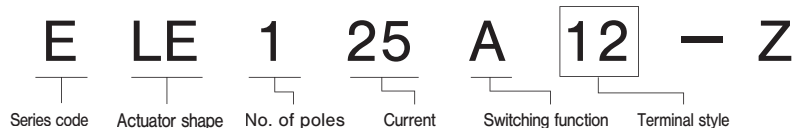
Miniature Rocker Switches

RoHS Compliant

Introduction

All of the EL Miniature Rocker Switch models that conform to the Electrical Appliances and Material Safety Act have acquired the type approval. The housing is made of self-extinguishing phenol resin, which has excellent heat resistance, arc resistance, and tracking resistance performance. In addition, the switches are designed to prevent insulation deterioration caused by arcing thanks to the contact structure where chattering and bouncing time is reduced as much as possible. Furthermore, the ELE type, which features the dustproof structure, is best suited for use in a dusty environment.

Part Numbering



Code	Structure	Fig.	No. of poles	Fig.	AC125V	Code		Switching function		Fig.	Terminal style	
L	Non-dust-proof	1	1pole	15	15A	1-pole	2-pole	ON	—	OFF	None	TAB#250(t=0.8)
LE	Dust proof type	2	2poles	25	25A	A	K	ON	—	OFF	12	Solder Terminal
						D	N	ON	—	ON		
						E	P	ON	—	OFF	—	ON

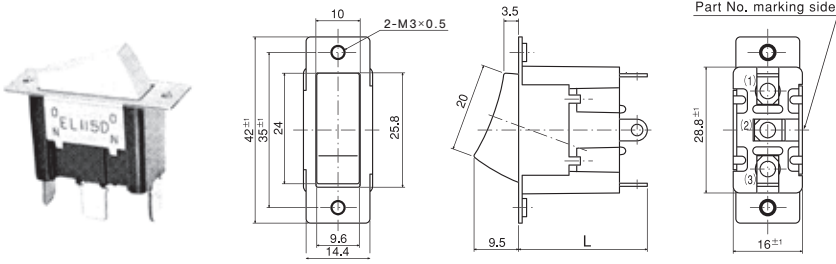
Note: For some products, the part numbers according to the above-stated combinations are not registered yet. Check the Table of Part Numbers on page 335 for availability.

Terminal Styles

Terminal style	TAB#250 (No.:—)	Solder Terminal (No.:12)
Dimensions		

EL115 1 pole

Terminal numbers are shown on the bottom of the switch.



The switching function Type "A" is without terminal number (2).

Specifications

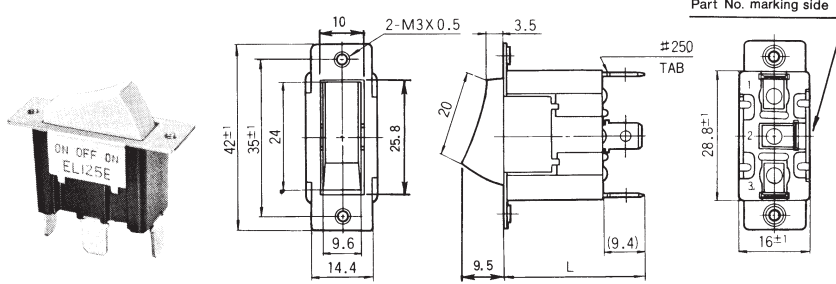
Rating		Initial contact resistance	Dielectric strength	Insulation resistance	Electrical life
EL115A•D	AC125V 15A	20mΩ Max. (DC2~4V 0.1A)	AC1500V minute	100MΩ Min. (DC500V)	20,000 cycles
	AC250V 15A				

Dimension L

Terminal style	TAB	Solder Terminal
Part No.		
EL115A•D-Z	31.4±1	28.3±1

Switching function	Viewed from part No. marking side		
Part No.			
★ EL115A-Z	ON	-	OFF
Connecting terminals	1-3	-	-
★ EL115D12-Z	ON	-	ON
Connecting terminals	2-3	-	2-1

EL125 1 pole



Terminal numbers are shown on the bottom of the switch.

The switching function Type "A" is without terminal number (2).

Specifications

Rating		Initial contact resistance	Dielectric strength	Insulation resistance	Electrical life
EL125A	AC125V 25A	20mΩ Max. (DC2~4V 0.1A)	AC1500V minute	100MΩ Min. (DC500V)	20,000 cycles
	AC250V 25A				

Dimension L

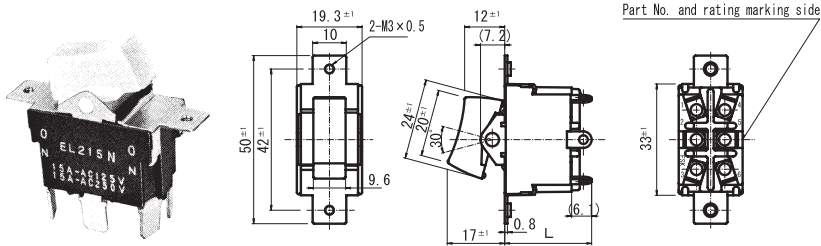
Terminal style	TAB	Solder Terminal
Part No.		
EL125A-Z	31.4±1	28.3±1

Switching function	Viewed from part No. marking side		
Part No.			
★ EL125A12-Z	ON	-	OFF
Connecting terminals	1-3	-	-

EL

EL215 2 poles

Terminal numbers are shown on the bottom of the switch.



The switching function Type "K" is without terminal numbers (2) and (5).

Specifications

Rating		Initial contact resistance	Dielectric strength	Insulation resistance	Electrical life
EL215K	AC125V 15A AC250V 15A	20mΩ Max. (DC2~4V 1A)	AC1500V minute	100MΩ Min. (DC500V)	20,000 cycles
EL215P	AC125V 15A AC250V 7A				

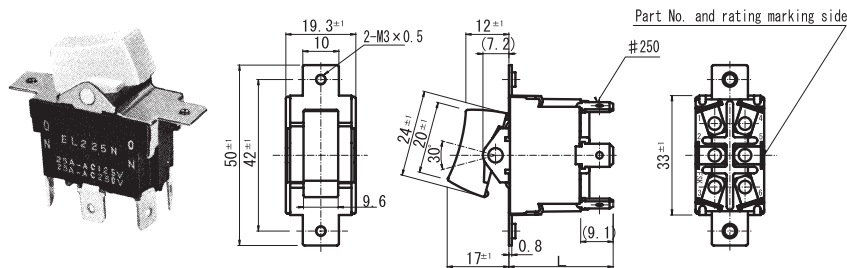
Dimension L

Terminal style	TAB	Solder Terminal
Part No.		
EL215K-Z	28.9±1	26.0±1
EL215P-Z		

Switching function	Viewed from part No. and rating marking side		
Part No.			
★ EL215K-Z ★ EL215K12-Z	ON	-	OFF
Connecting terminals	1-3 4-6	-	-
★ EL215P-Z	ON	OFF	ON
Connecting terminals	2-3 5-6	-	2-1 5-4

EL225 2 poles

Terminal numbers are shown on the bottom of the switch.



The switching function Type "K" is without terminal numbers (2) and (5).

Specifications

Rating		Initial contact resistance	Dielectric strength	Insulation resistance	Electrical life
EL225K•N	AC125V 25A AC250V 25A	20mΩ Max. (DC2~4V 0.1A)	AC1500V minute	100MΩ Min. (DC500V)	20,000 cycles

Dimension L

Terminal style	TAB	Solder Terminal
Part No.		
EL225K•N-Z	28.9±1	26.0±1

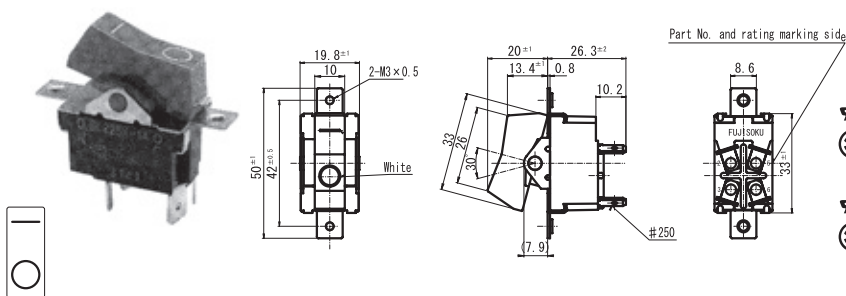
Switching function	Viewed from part No. and rating marking side		
Part No.			
★ EL225K-Z	ON	-	OFF
Connecting terminals	1-3 4-6	-	-
★ EL225N12-Z	ON	-	ON
Connecting terminals	2-3 5-6	-	2-1 5-4

EL225K-14 DPST

Terminal numbers are shown on the bottom of the switch.

TAB#250

Button color : Red



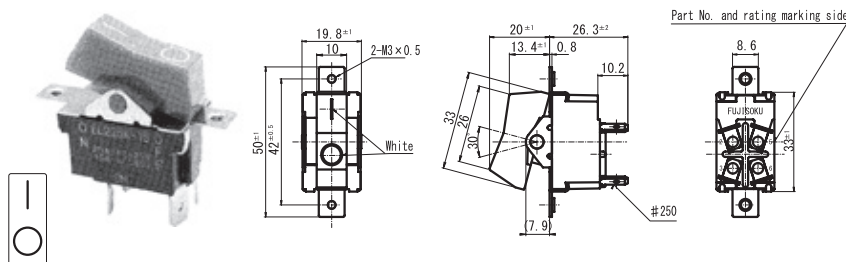
Switching function	Viewed from part No. and rating marking side		
Part No.	★EL225K-14-Z	-	OFF
Connecting terminals	2-3 5-6	-	-
Part No.	★EL225K-15-Z	-	OFF
Connecting terminals	2-3 5-6	-	-

Rating :10A-125V-250-277VAC

EL225K-15

TAB#250

Button color : Red



●The UL and the CSA marks are indicated on the housing.
UL File No.E43275
CSA File No.LR38341

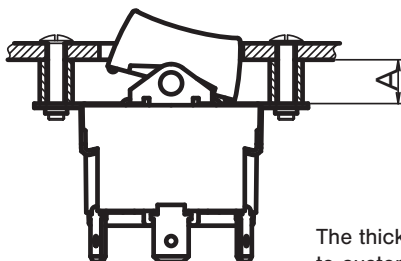
Specifications

Rating	Initial contact resistance	Dielectric strength	Insulation resistance	Electrical life
EL225K-14 AC125V 25A	20mΩ Max.	AC1500V	100MΩ Min.	20,000 cycles
EL225K-15 AC250V 15A	(DC2~4V 0.1A)	minute	(DC500V)	

Panel Cut-Out Dimensions

Series	EL115 EL125	EL215 EL225	EL225K-14 EL225K-15
Dimensions			

Mounting Method

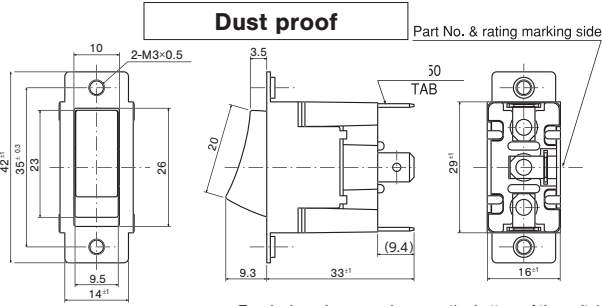


	A
EL215-225	7.5mm MIN.
EL225K-14 EL225K-15	8.2mm MIN.

The thickness of the mounting panel should be adjusted according to customer's applications.

ELE Dust Proof

ELE115 1 pole



Switching function	Viewed from part No. and rating marking side		
Part No.			
★ELE115E-Z	ON	OFF	ON
Connecting terminals	2-3	-	2-1

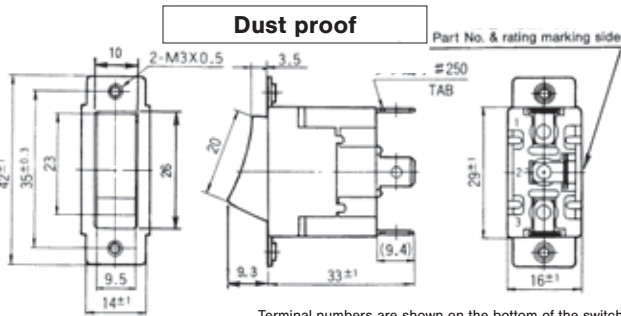
The switching function Type "A" is without terminal number (2).

Specifications

Rating	Initial contact resistance	Dielectric strength	Insulation resistance	Electrical life
ELE115E AC125V 15A AC250V 7A	20mΩ Max. (DC2~4V 0.1A)	AC1500V minute	100MΩ Min. (DC500V)	20,000 cycles

Terminal numbers are shown on the bottom of the switch.

ELE125 1 pole



Switching function	Viewed from part No. and rating marking side		
Part No.			
★ELE125A-Z	ON	-	OFF
Connecting terminals	1-3	-	-

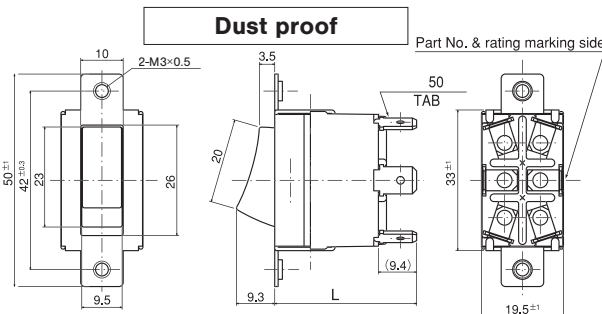
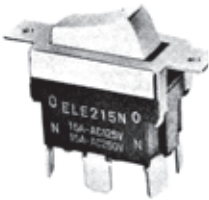
The switching function Type "A" is without terminal number (2).

Specifications

Rating	Initial contact resistance	Dielectric strength	Insulation resistance	Electrical life
ELE125A AC125V 25A AC250V 25A	20mΩ Max. (DC2~4V 0.1A)	AC1500V minute	100MΩ Min. (DC500V)	20,000 cycles

Terminal numbers are shown on the bottom of the switch.

ELE215 2 poles



Switching function	Viewed from part No. and rating marking side		
Part No.			
★ELE215K-Z	ON	-	OFF
Connecting terminals	1-3 4-6	-	-

Specifications

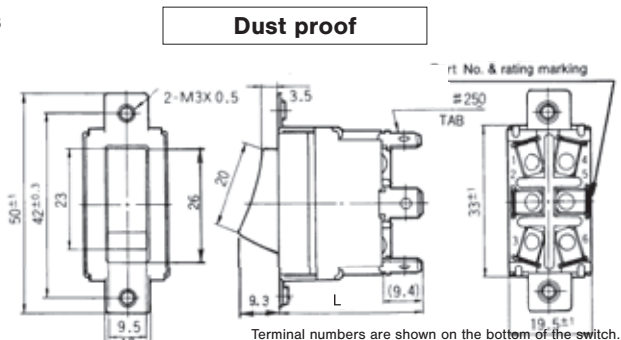
Rating	Initial contact resistance	Dielectric strength	Insulation resistance	Electrical life
ELE215K AC125V 15A AC250V 15A	20mΩ Max. (DC2~4V 0.1A)	AC1500V minute	100MΩ Min. (DC500V)	20,000 cycles

Terminal numbers are shown on the bottom of the switch.

Dimension L

Terminal	TAB terminals	Solder terminals
Part Name		
ELE215■	34±1	31.8±1
ELE225■		

ELE225 2 poles



Switching function	Viewed from part No. and rating marking side		
Part No.			
★ELE225K-Z	ON	-	OFF
Connecting terminals	1-3 4-6	-	-

The switching function Type "K" is without terminal numbers (2) and (5).

Specifications

Rating	Initial contact resistance	Dielectric strength	Insulation resistance	Electrical life
ELE225K AC125V 25A AC250V 25A	20mΩ Max. (DC2~4V 0.1A)	AC1500V minute	100MΩ Min. (DC500V)	20,000 cycles

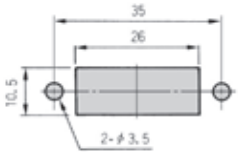
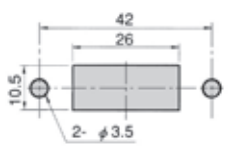
Terminal numbers are shown on the bottom of the switch.

★ : Made to order products.

Table of Part Numbers

Terminal style	Switching function	1-Pole		2-Poles	
		15A	25A	15A	25A
Solder Terminal	ON-OFF	-	★EL125A12-Z	★EL215K12-Z	-
	ON-ON	★EL115D12-Z	-	-	★EL225N12-Z
TAB#250	ON-OFF	★EL115A-Z	★ELE125A-Z	★EL215K-Z	★EL225K-Z
		-	-	★ELE215K-Z	★EL225K-14-Z
		-	-	-	★EL225K-15-Z
		-	-	-	★ELE225K-Z
	ON-OFF-ON	★ELE115E-Z	-	★EL215P-Z	-

Panel Cut-Out Dimensions

Series	ELE115 ELE125	ELE215 ELE225
Dimensions		
Panel thickness	3.5 mm Max.	3.5 mm Max.

Flux Cleaning

For the solvent, use the fluorine-based or alcohol-based solvent.

Solvent: Fluorine or Alcohol type

Soldering Specifications

Device : Soldering iron
420°C, Max.; 3 seconds, Max.

Packaging Specification

