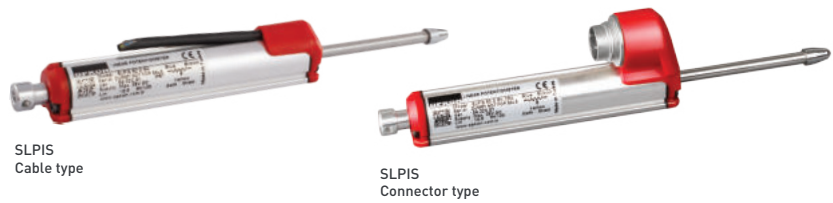


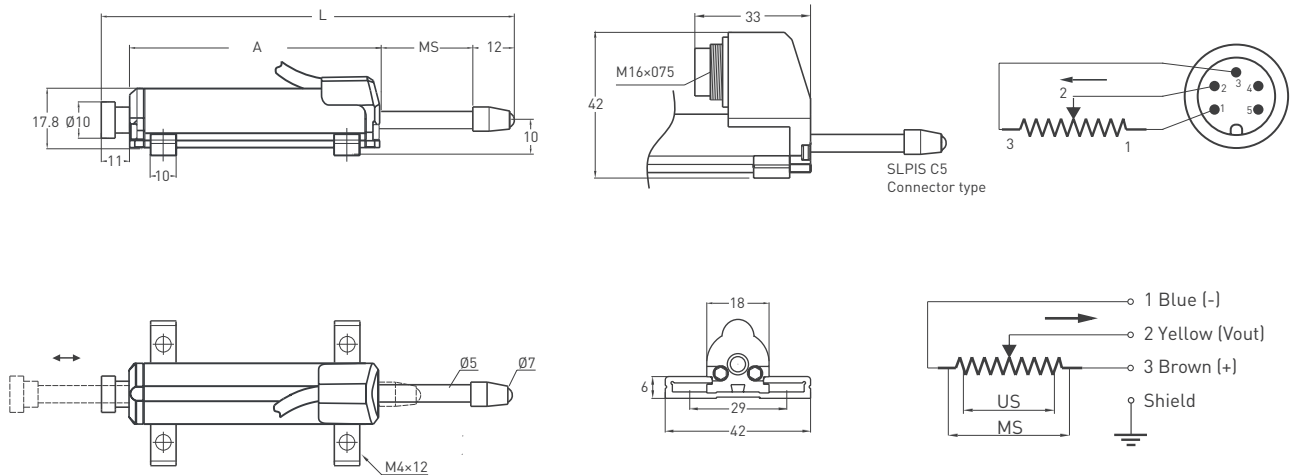
Linear Potentiometer Internal Spring Return, Slim Body Series

- Measuring range 10 - 100 mm
- For tight are applications
- ≤ 0.002 mm repeatability
- Infinite resolution
- 2 kOhm : 10 - 50 mm
- 5 kOhm : 75 - 100 mm



| Technical Specifications | |
|-----------------------------|---|
| Measurement stroke | 10 -100 mm |
| Linearity | ± 0.2 (100 mm), ± 0.5 (≤ 75 mm) |
| Repeatability | ≤ 0.002 mm |
| Resolution | Infinite |
| Resistance | 2 kOhm : 10 - 50 mm 5 kOhm : 75 - 100 mm |
| Resistance tolerance | $\pm 20\%$ |
| Recommended wiper current | $< 1 \mu A$ |
| Permissible applied voltage | 28 VDC max. |
| Electrical connections | Connector or 1 m cable output |
| Displacement speed | < 5 m/s |
| Mechanical life | 100 millions movement |
| Case dimensions | $\varnothing 18$ mm |
| Case material | Anodized aluminium |
| Rod material | Stainless steel |
| Rod diameter | $\varnothing 5$ mm |
| Mechanical fixing | Variable brackets |
| Protection level | IP 40 |
| Operating temperature | $-30^{\circ}C \dots +100^{\circ}C$ |
| Storage temperature | $-30^{\circ}C \dots +100^{\circ}C$ |

Mechanical Specifications



| SLPIS (mm) | 10 | 25 | 50 | 75 | 100 |
|----------------------------------|----|-----|-----|-----|-----|
| US (Usefull Stroke) | 10 | 25 | 50 | 75 | 100 |
| MS ± 0.5 (Mechanical Stroke) | 13 | 28 | 53 | 78 | 103 |
| A ± 0.5 | 59 | 74 | 105 | 132 | 164 |
| L ± 0.5 (Total Length) | 95 | 125 | 181 | 233 | 290 |

Ordering Procedure

| Model | Measurement stroke (mm) | Linearity (%) | Resistance (kOhm) | Connector / Cable |
|-------|-------------------------|--|--|---|
| SLPIS | 25 | B | 5K | 1M |
| SLPIS | 10 - 100 mm | A: ± 0.5 (≤ 75 mm), B: ± 0.2 (100 mm) | 2K: 2 kOhm (10-50 mm) 5K: 5 kOhm (75-100mm) | 1M : 1 meter cable (standard) C5 : Connector |

Please note: The specifications and information in this datasheet may not cover all special demands arising from specific applications. Therefore, they do not constitute a comprehensive description of the product properties. OPKON accepts no responsibility for damages resulting from the improper application of our products. The user is responsible for ensuring that the products used are suitable for their own application.