

Lubricator L39 EconOmist™

= "Most Popular"

Specifications

Flow Capacity*	3/4, 1	270 SCFM (127 dm ³ /s)
Maximum Supply Pressure		250 PSIG (17.2 bar)
Operating Temperature		32° to 175°F (0° to 80°C)
Port Size**	NPT	3/4, 1
Weight		3.5 lb. (1.6 kg)

* Inlet pressure 100 PSIG (6.9 bar). Pressure drop 5 PSID (0.3 bar).

** Port blocks available for BSPP thread & 1-1/2" port.

Materials of Construction

Body	Aluminum
Bowl	Aluminum
Sight Dome	Polycarbonate
Seals	Nitrile
Sight Gauge	Polyamide (Nylon)
Suggested Lubricant	Airline Oil F442001

B

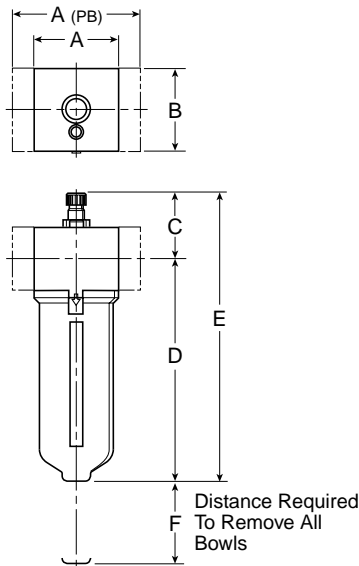
Filters, Regulators, Lubricators



L39-06-LD00

Features

- Transparent Sight Dome for 360° Visibility
- 3/4" and 1" NPT Ports
- Can be Filled while Under Pressure
- Quick-disconnect Bowl
- High Flow Capacities and Proportional Oil Delivery
- Port Blocks Available for BSPP Thread and 1-1/2" Port



Dimensions

Models	Inches (mm)	A	A (PB)	B	C	D	E	F
Standard Unit L39-XX-LD00		3.62 (92)	5.91 (150)	3.62 (92)	2.81 (71)	9.00 (229)	11.81 (300)	4.92 (125)

† With Manual Drain or Internal Auto Drain

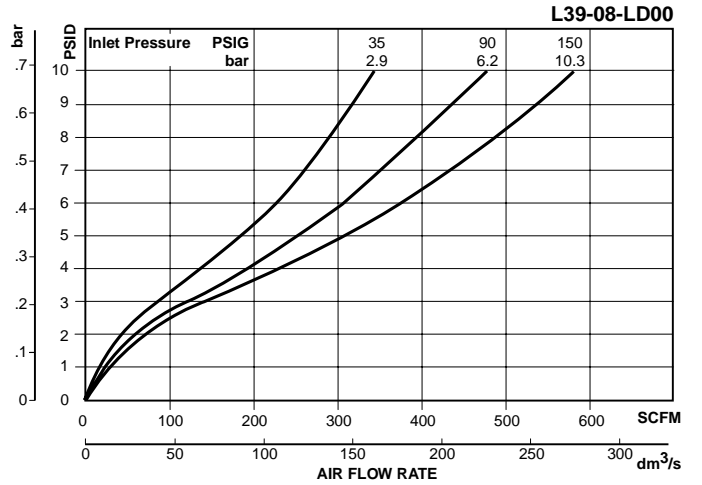
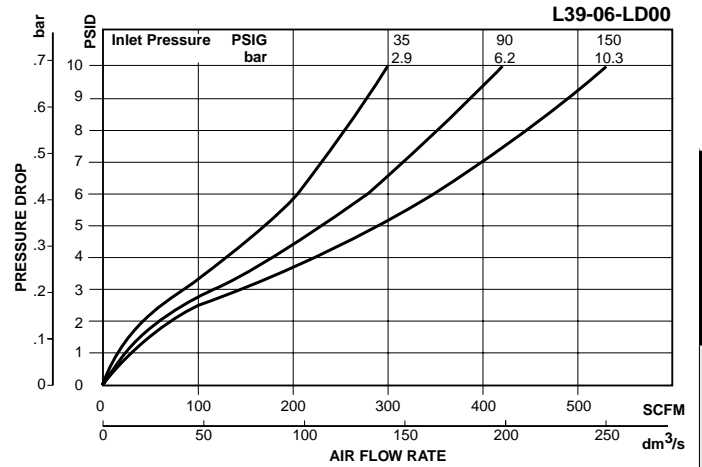
= "Most Popular"

Replacement Bowl Kits

- Metal Bowl –
- Sight Gauge / Manual DrainP3NKA00BSM
- Sight Gauge / No Drain.....P3NKA00BSN

Accessories

- Adjustment KnobP04121
- Bowl Latch Kit C11A33
- Drain Kit – Manual Drain..... PS512
- Fill Cap Kit P3NKA00PL
- Mounting Bracket Kit P3NKA00MW
- Pressure Fill Adapter KitP3NKA00PK
- Service KitP3NKA00RL
- Sight Dome Kit –
- Polycarbonate PS740
- NylonPS740N
- Sight Gauge KitP3NKA00PE



B
Filters, Regulators, Lubricators

Ordering Information

Model Type	Port Size	Metal Bowl / Sight Gauge
No Drain	3/4	L39-06-LD00
	1	L39-08-LD00

Options - To order an option supplied with the unit model, add the appropriate coded suffix letter in the designated position of the model number.